

### FIRST TIME INSTALLATION

- Please read instructions carefully before installation.
- Check the contents of kit. Contact your YAKIMA dealer if any parts appear missing or damaged.
- Place these instructions in the vehicle's glove box after installation is complete.



**AWNING SOLD SEPARATELY**

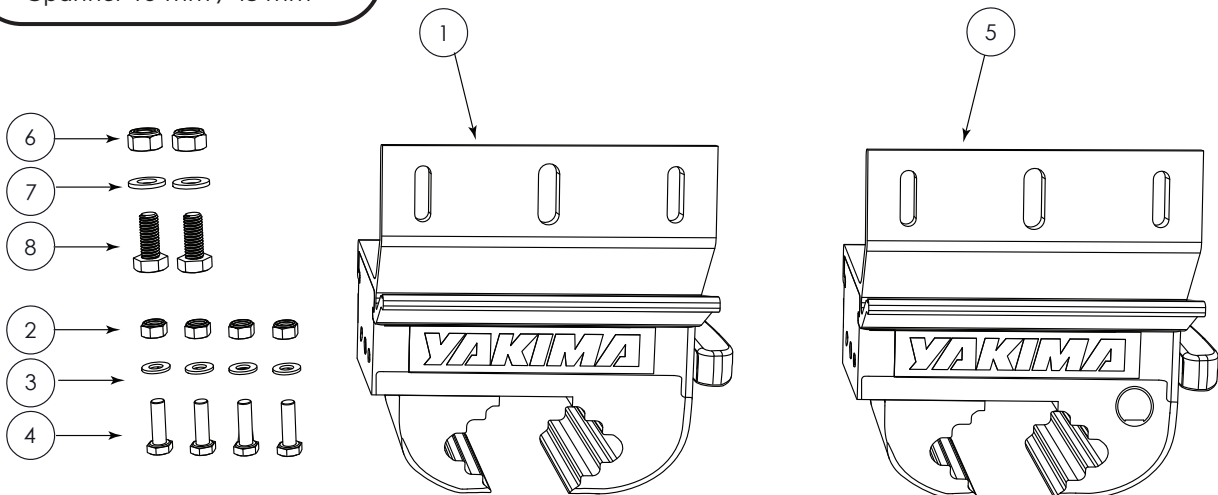
### KIT CONTENTS

ITEM	COMPONENT	QTY	ITEM	COMPONENT	QTY
1.	Awning Bracket Assembly	x1	5.	Awning Bracket Assembly (with Lock Cavity)	x1
2.	M6 Nut	x4	6.	M8 Nut	x2
3.	M6 Washer	x4	7.	M8 Washer	x2
4.	M6 Bolt	x4	8.	M8 Bolt	x2



#### TOOLS REQUIRED:

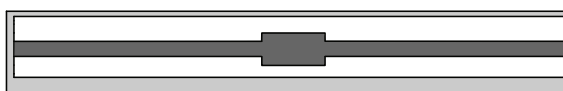
- Tape measure
- Spanner 10 mm / 13 mm



Note number of channels at rear of awning:



- For two channel awnings go to **Page 2**

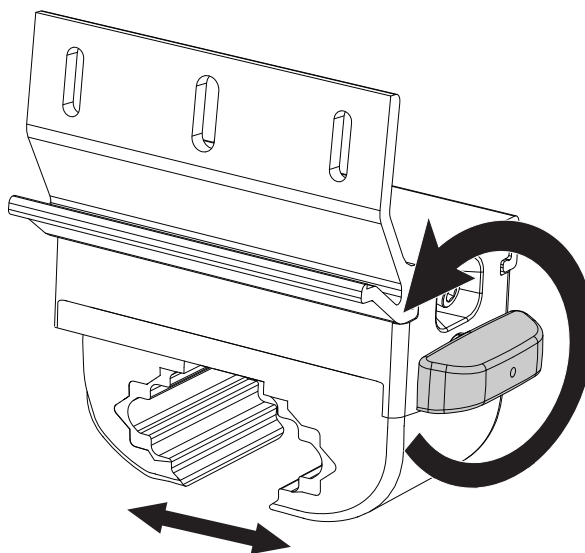


- For one channel awnings go to **Page 5**

## ASSEMBLY INSTRUCTIONS: AWNINGS WITH TWO CHANNELS

### 1 OPEN CLAMPS.

Rotate tightening knob on bracket in an anti-clockwise direction to open clamp jaws fully.

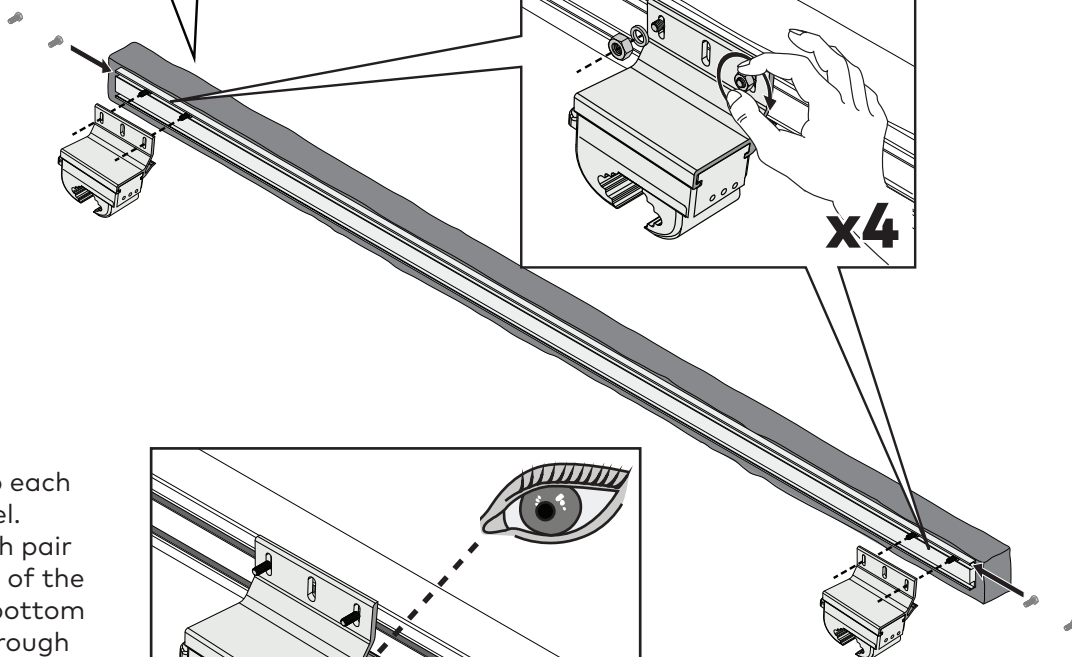
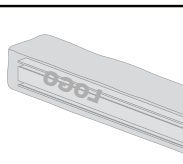


x2

### 2 INSTALL BRACKETS ONTO AWNING.

The hardware used to secure the brackets to the awning will depend on the width of the upper channel. In most cases, the M6 hardware provided in the kit will be sufficient. However, wider channels may require the use of the M8 nuts, bolts and washers supplied.

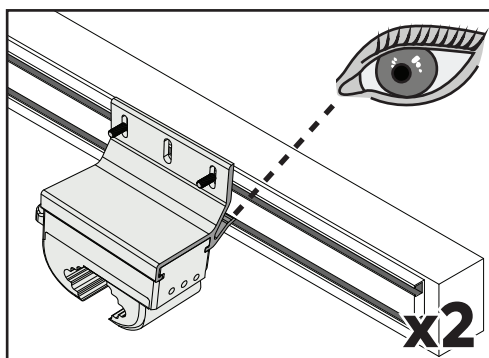
Be sure awning is oriented correctly with the logo right side up in relation to the clamps.



x4

#### If Using M6 hardware.

Insert two M6 bolts into each end of the upper channel. Attach a bracket to each pair of bolts ensuring the rib of the bracket sits within the bottom channel and bolts sit through the outermost bracket holes. Thread an M6 washer and M6 nut onto each bolt before tightening loosely by hand.

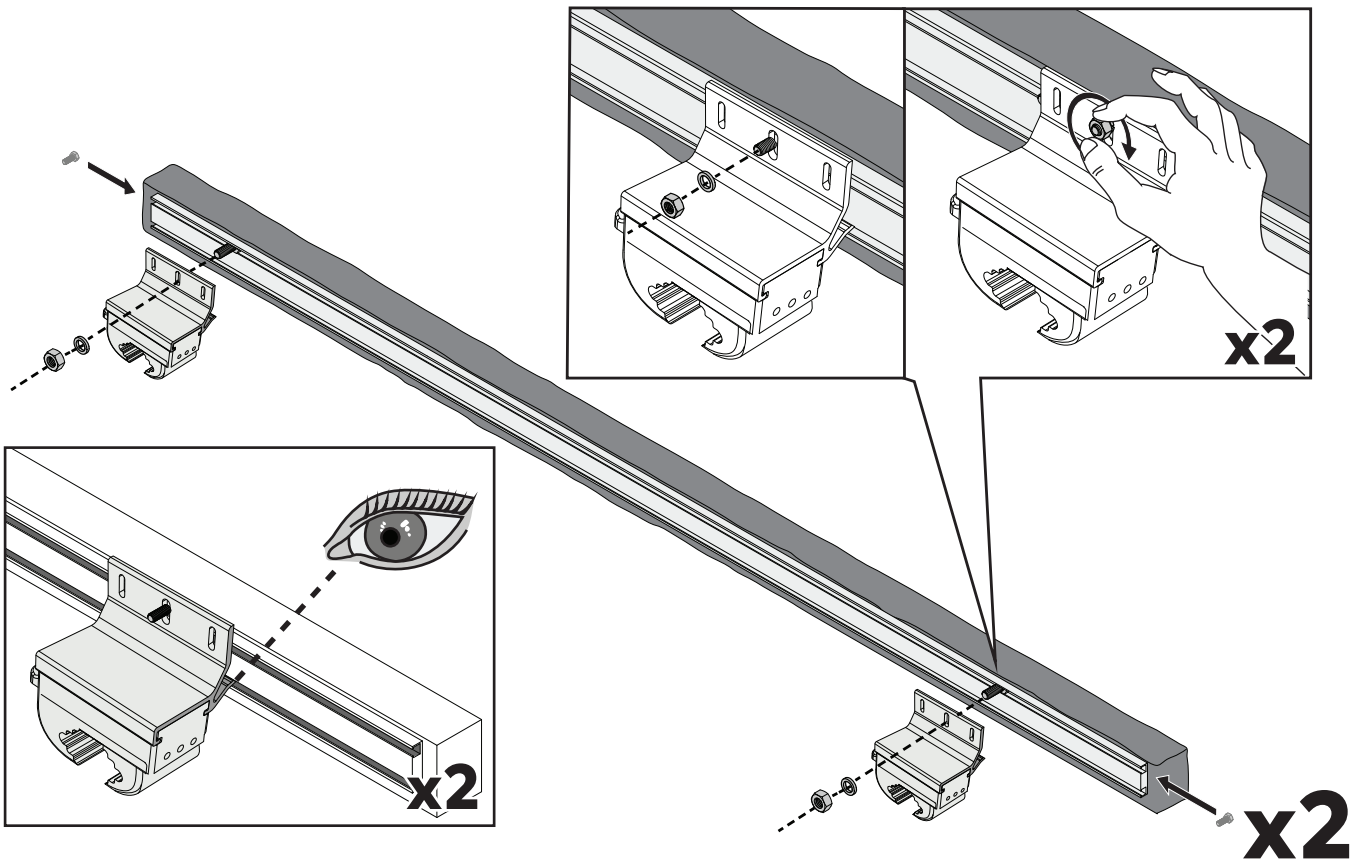


x2

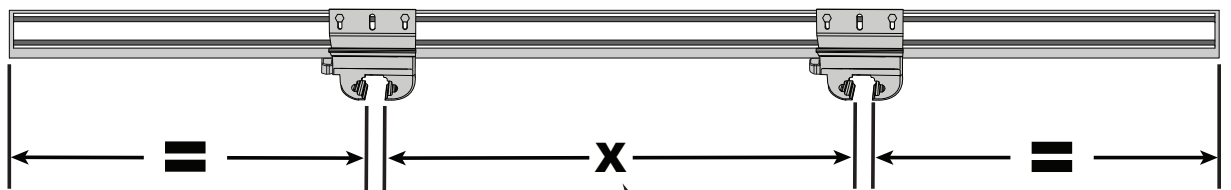
x2

### If Using M8 Hardware.

Insert an M8 bolt into each end of the upper channel.  
Place a bracket over each bolt ensuring shaft runs through the largest bracket hole in the centre.  
Ensure rib of bracket sits within the bottom channel of the awning.  
Thread an M8 washer and M8 nut onto each bolt before tightening loosely by hand.



**3**

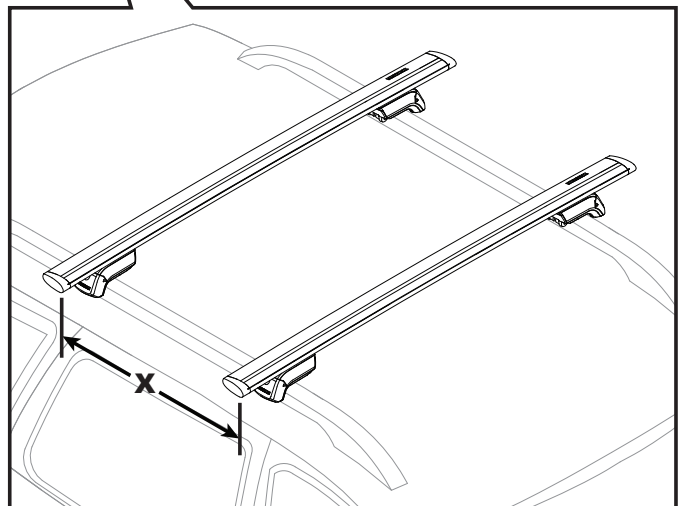


### POSITION BRACKETS FOR INSTALLATION.

Measure the distance between your crossbars, then set the distance between the brackets, and space them equidistant from the ends.



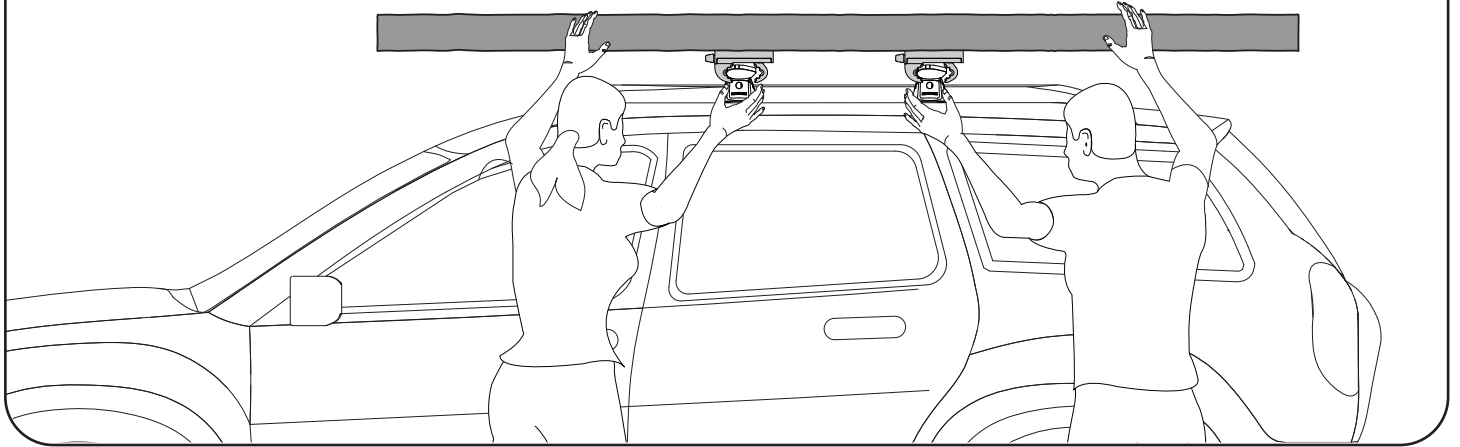
**Minimum crossbar spread is 61 cm (24")**



# 4

## INSTALL AWNING ON VEHICLE.

With the assistance of a friend, carefully place the awning onto your vehicle ensuring both clamps are seated evenly over the crossbars. If necessary, fine tune the position of the brackets and re-measure the awning overhang on each end to ensure awning remains balanced over the bars.

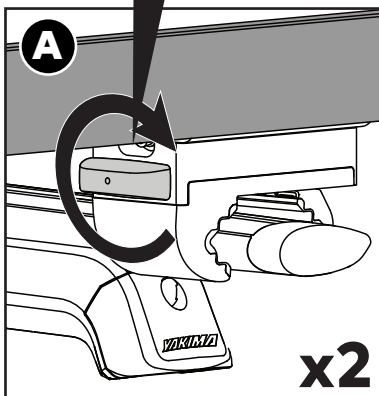


# 5

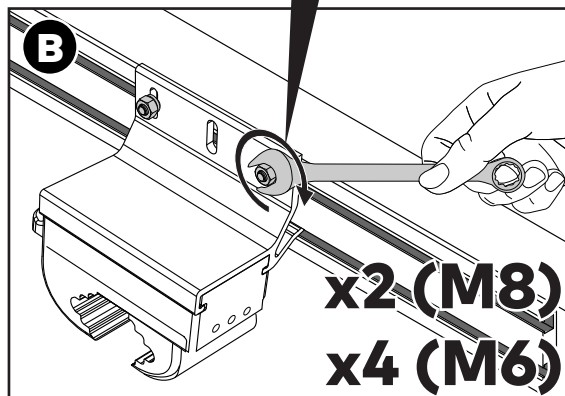
## SECURE AWNING.

- A. Turn tightening knob clockwise to securely close clamp jaws around bars.
- B. Fully tighten all bolts on both brackets (10 mm spanner for M6/ 13 mm spanner for M8 hardware).
- C. Fully tighten the slider bolt on each clamp.

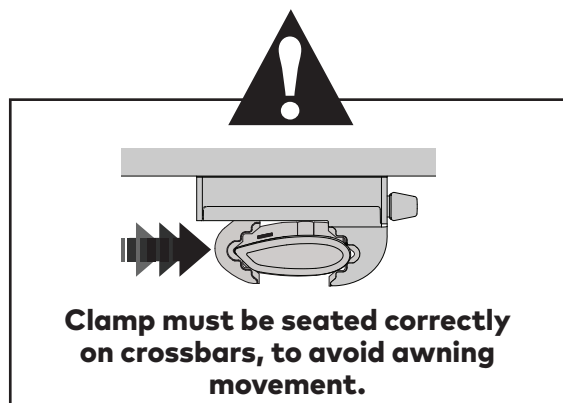
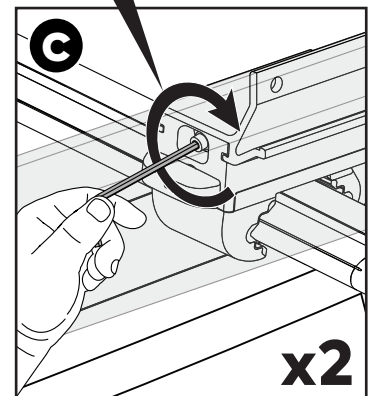
**5.25 +/-0.25 Nm**



**5.0 +0.5/-0.0 Nm**



**5.0 +0.5/-0.0 Nm**



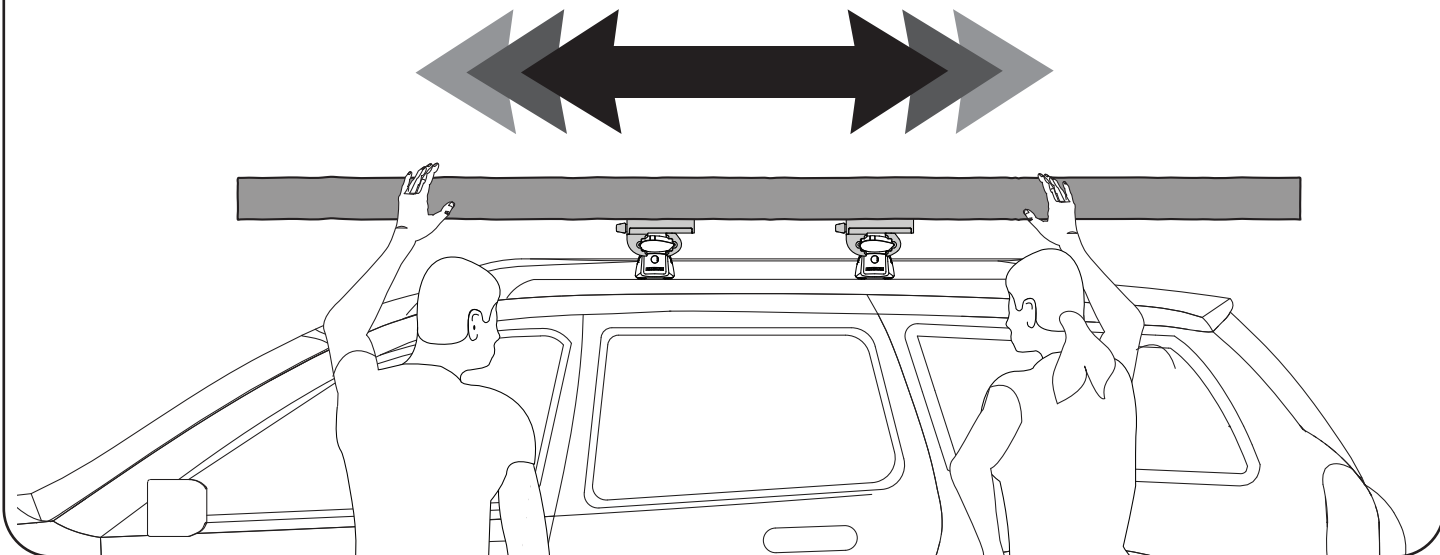
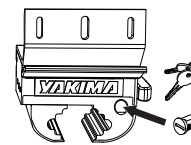
# 6

## CHECK INSTALLATION IS SECURE.

Check awning is securely in place with no front to back or side to side movement evident. If movement is detected, return to previous step.

If you have purchased lock cores, install them according to your lock core instructions.

**Yakima #8007202**

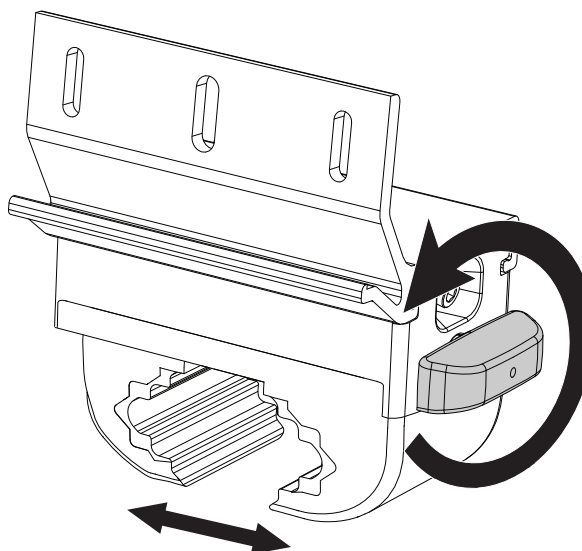


## ASSEMBLY INSTRUCTIONS: AWNINGS WITH ONE CHANNEL

# 1

### OPEN CLAMPS.

Rotate tightening knob on bracket in an anti-clockwise direction to open clamp jaws fully.



**x2**

## 2

### INSTALL BRACKETS ONTO AWNING.

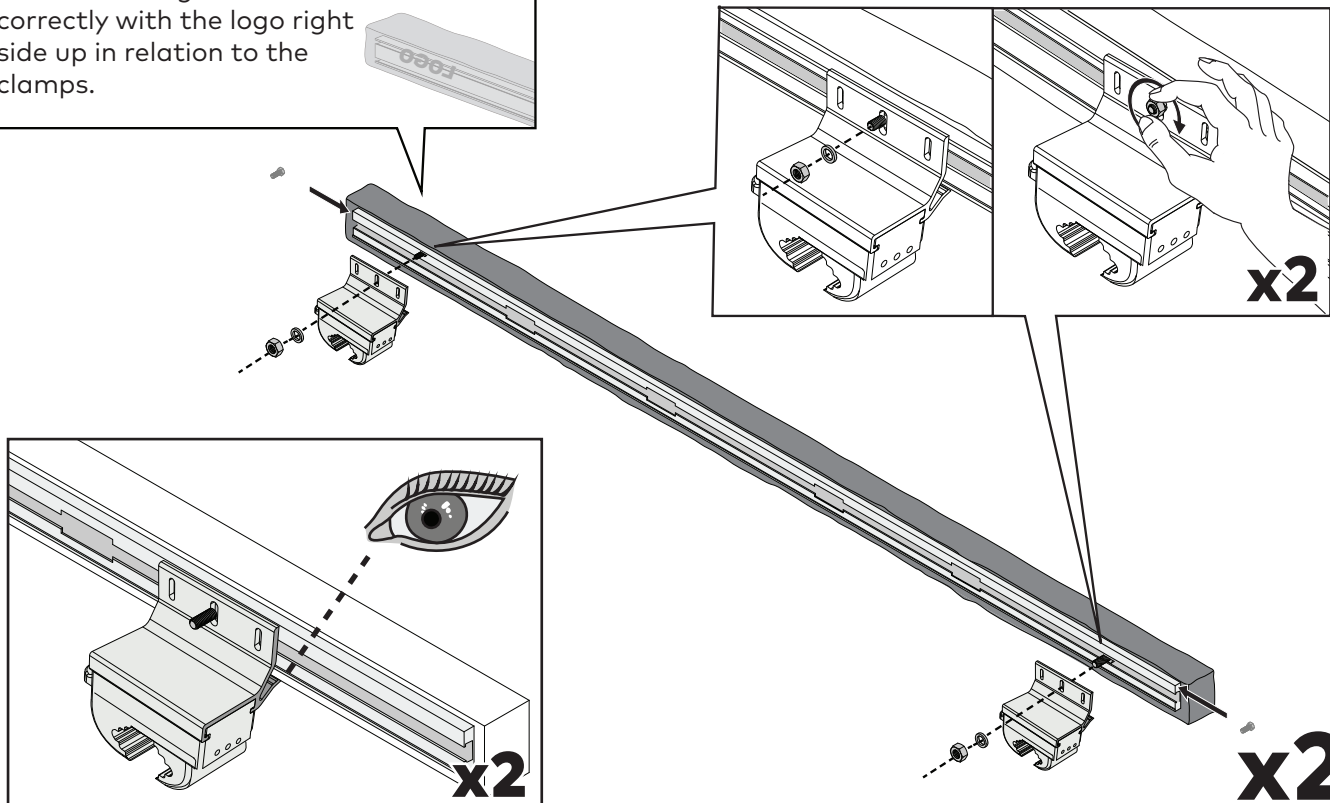
Insert an M8 bolt into each end of the awning channel.

Place a bracket over each bolt ensuring shaft runs through the largest bracket hole in the centre.

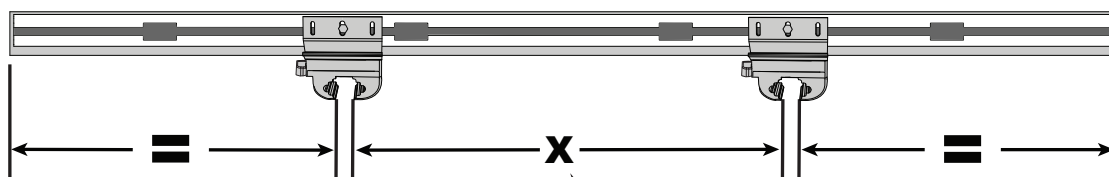
Note that the rib of the bracket should sit below awning.

Thread an M8 washer and M8 nut onto each bolt before tightening loosely by hand.

Be sure awning is oriented correctly with the logo right side up in relation to the clamps.



## 3

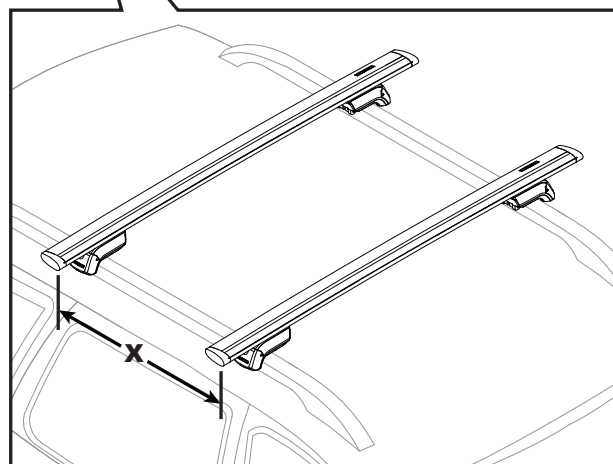


### POSITION BRACKETS FOR INSTALLATION.

Measure the distance between your crossbars, then set the distance between the brackets, and space them equidistant from the ends.

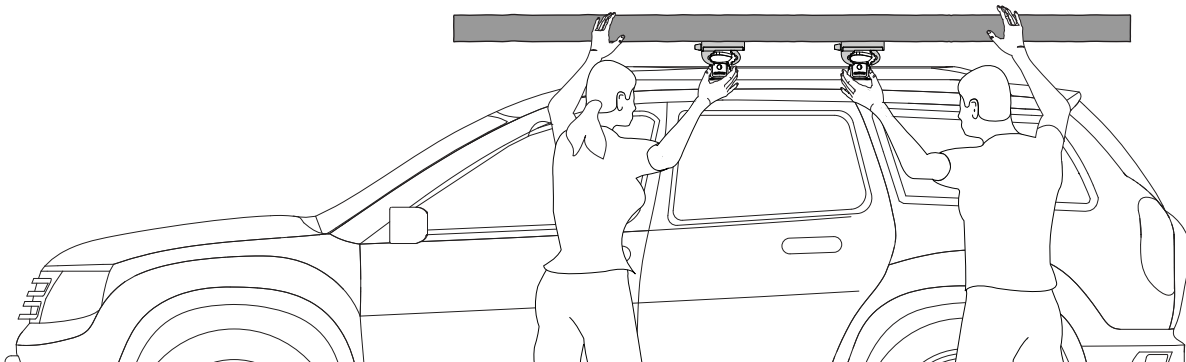


Minimum crossbar spread is 61 cm (24")

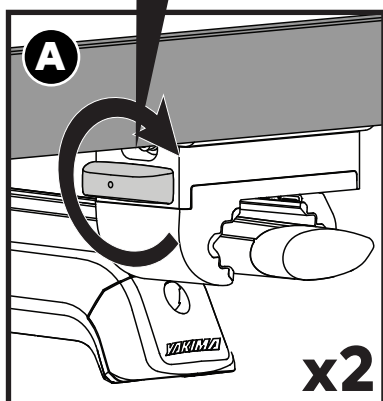
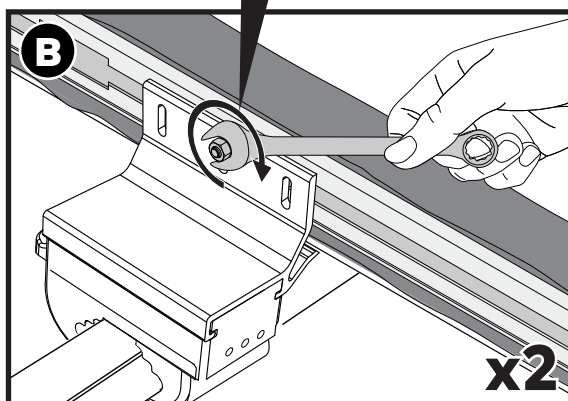
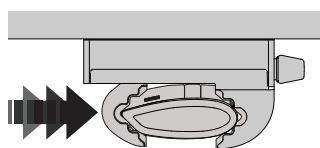
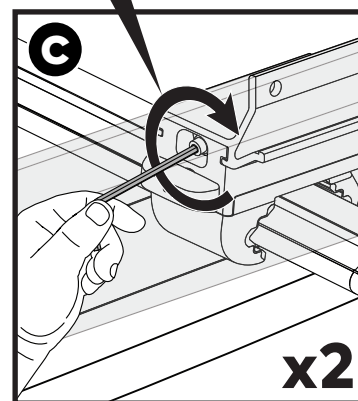


**4****INSTALL AWNING ON VEHICLE.**

With the assistance of a friend, carefully place the awning onto your vehicle ensuring both clamps are seated evenly over the crossbars. If necessary, fine tune the position of the brackets and re-measure the awning overhang on each end to ensure awning remains balanced over the bars.

**5****SECURE AWNING.**

- A. Turn tightening knob clockwise to securely close clamp jaws around bars.
- B. Fully tighten bolts on both brackets using a 13 mm spanner.
- C. Fully tighten the slider bolt on each clamp.

**5.25 +/-0.25 Nm****5.0 +0.5/-0.0 Nm****5.0 +0.5/-0.0 Nm**

**Clamp must be seated correctly on crossbars, to avoid awning movement.**



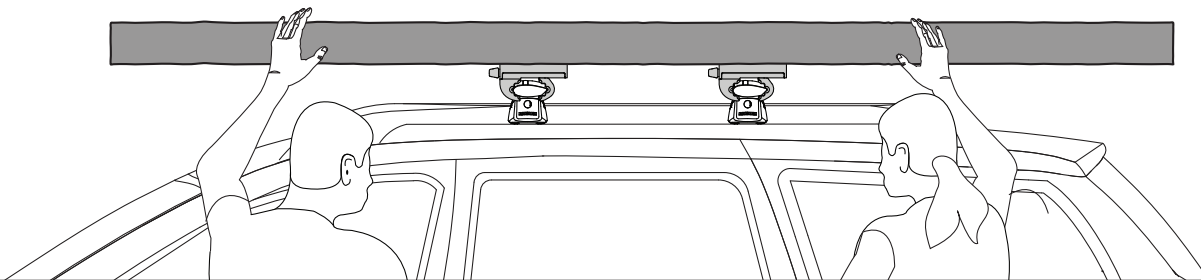
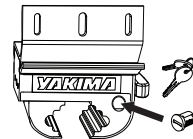
**6**

**CHECK INSTALLATION IS SECURE.**

Check awning is securely in place with no front to back or side to side movement evident. If movement is detected, return to previous step.

If you have purchased lock cores, install them according to your lock core instructions.

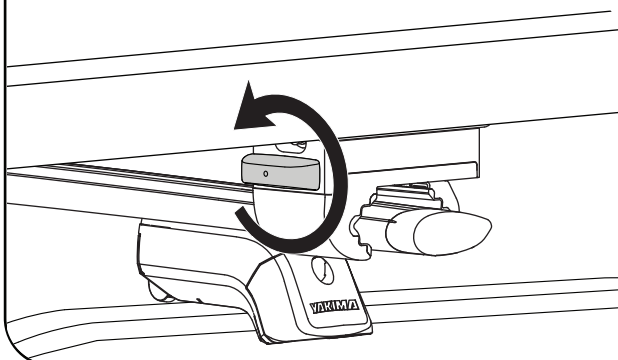
**Yakima #8007202**



**REMOVAL**

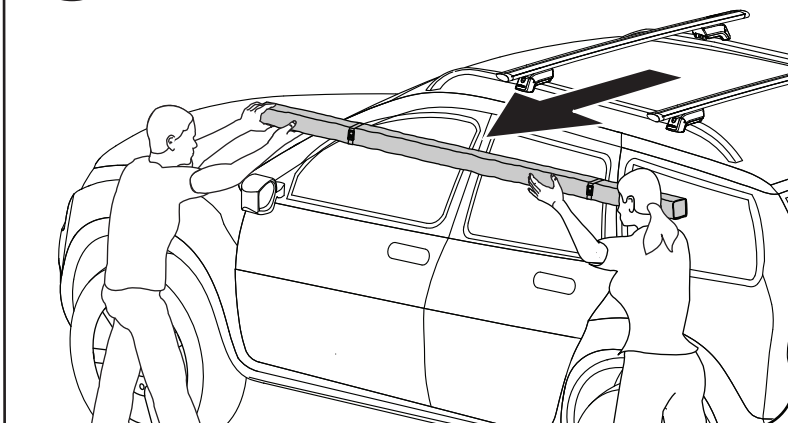
**1**

Rotate tightening knob on bracket in an anti-clockwise direction to unlock/open clamp jaws fully.



**2**

Remove awning.



**YAKIMA®**

www.yakima.com.au  
www.yakima.co.nz  
www.yakima.com  
www.yakima.eu

**YAKIMA AUSTRALIA PTY LTD**

17 Hinkler Court  
Brendale, QLD 4500  
Australia  
1800 143 548

**YAKIMA PRODUCTS, INC.**

4101 Kruse Way  
Lake Oswego, OR  
97035-2541  
USA  
888 925 4621  
yakima.com/support

ALL CONTENT SUBJECT TO YAKIMA AUSTRALIA PTY LTD COPYRIGHT © 2018