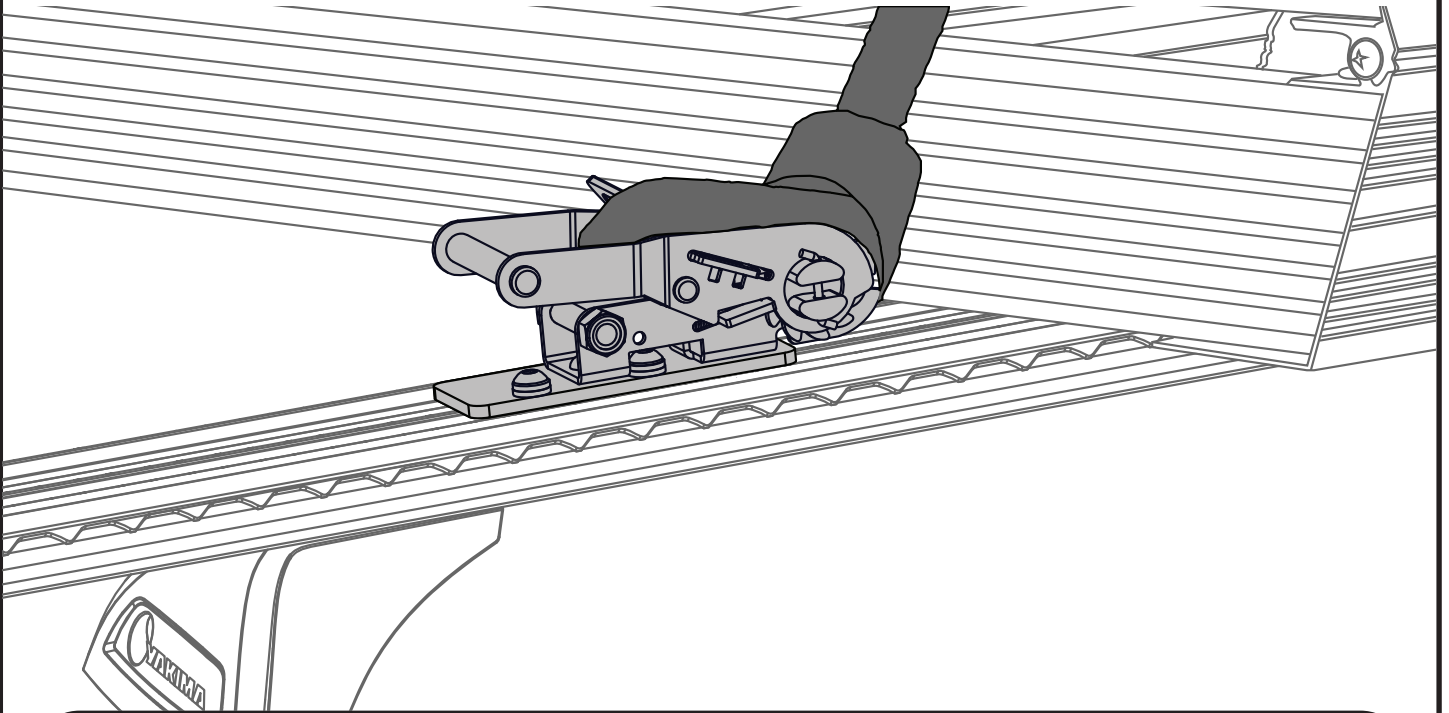


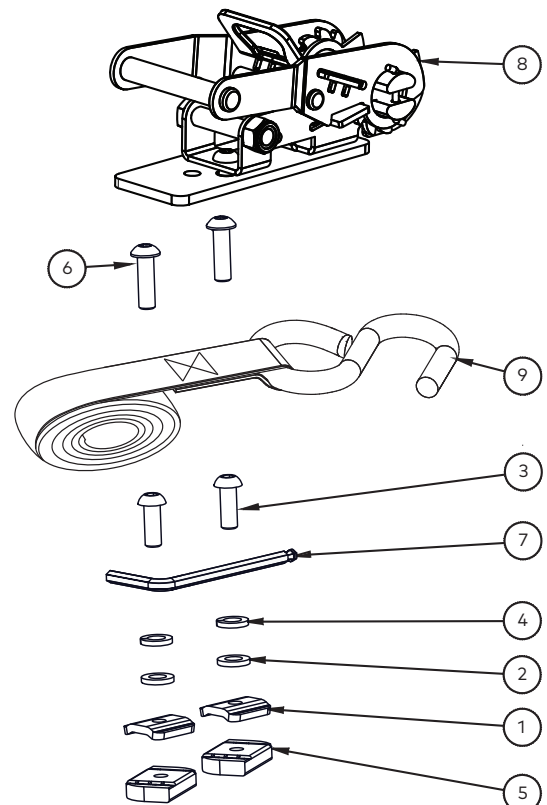
FIRST TIME INSTALLATION

- Please read instructions carefully before installation.
- Check the contents of kit. Contact your YAKIMA dealer if any parts appear missing or damaged.
- Clean your roof racks prior to fitting the Ratchet Grab.
- Place these instructions in the vehicle's glove box after installation is complete.



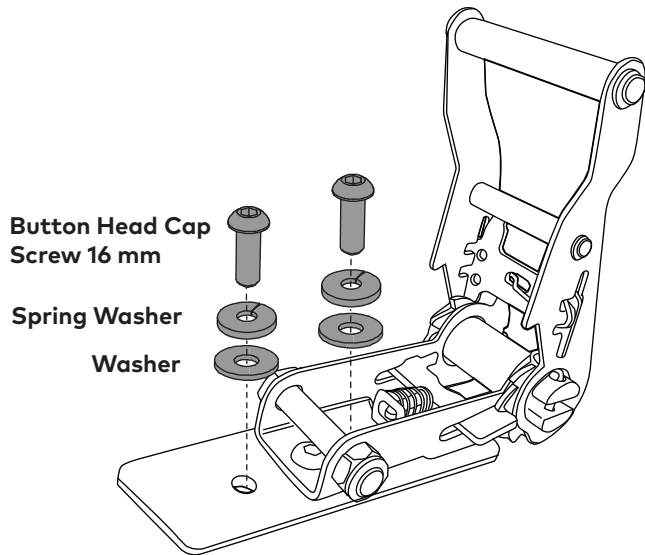
KIT CONTENTS

ITEM	COMPONENT	QTY
1.	Slot Nut	2
2.	Washer	2
3.	Button Head Cap Screw 16 mm	2
4.	Spring Washer	2
5.	T-Nut	2
6.	Button Head Cap Screw 20 mm	2
7.	Ball End Allen Key 4 mm	1
8.	Ratchet	1
9.	Hook And Strap Assembly	1



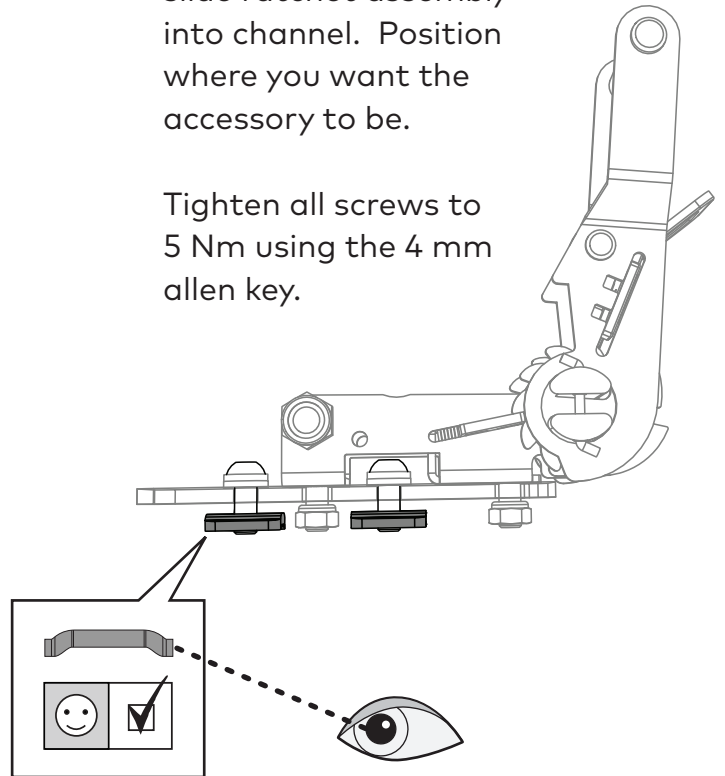
INSTALLATION WITH AERO DECK, LOCKNLOAD PLATFORM AND TRIMHD BARS

- 1 Assemble 1x spring washer, 1x flat washer onto each **16 mm cap screw** and insert into holes on ratchet plate.



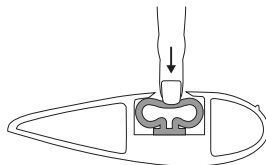
- 2 Pre-thread the slot nuts onto cap screws in the orientation shown and slide ratchet assembly into channel. Position where you want the accessory to be.

Tighten all screws to 5 Nm using the 4 mm allen key.



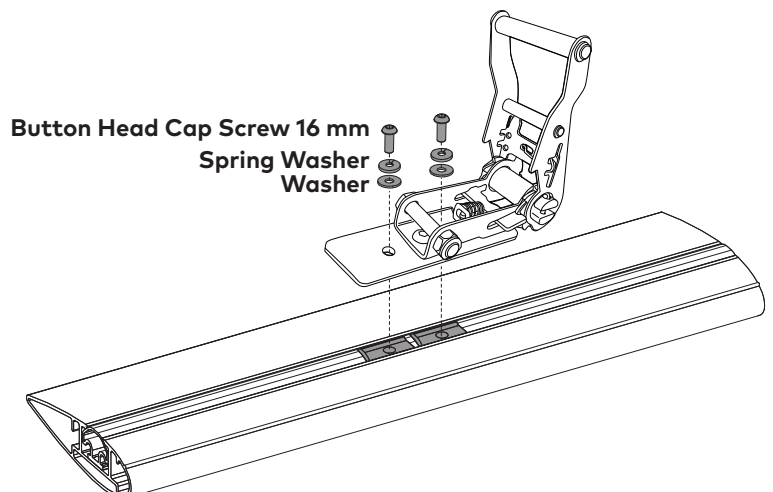
INSTALLATION WITH AERO AND JETSTREAM BARS

- 1 Push down rubber infill and slide 2x slot nuts into crossbar channel in the orientation shown. Position where you want the accessory to be.



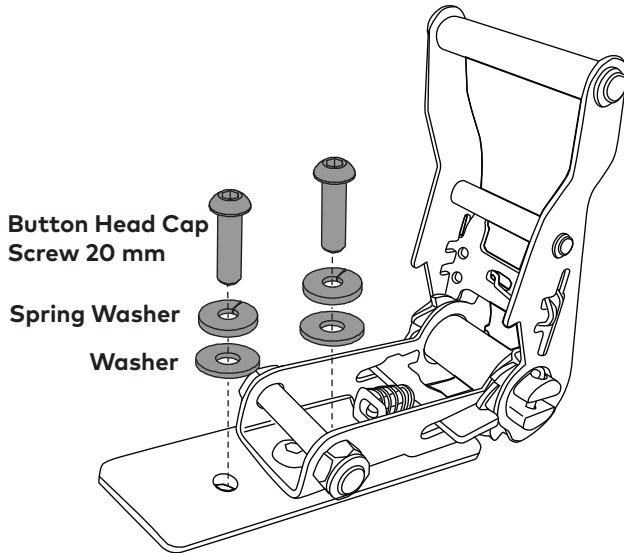
- 2 Fasten ratchet assembly onto crossbar using 2x **16 mm cap screws**, 2x spring washers, and 2x flat washers.

Tighten all screws to 5 Nm using the 4 mm allen key.



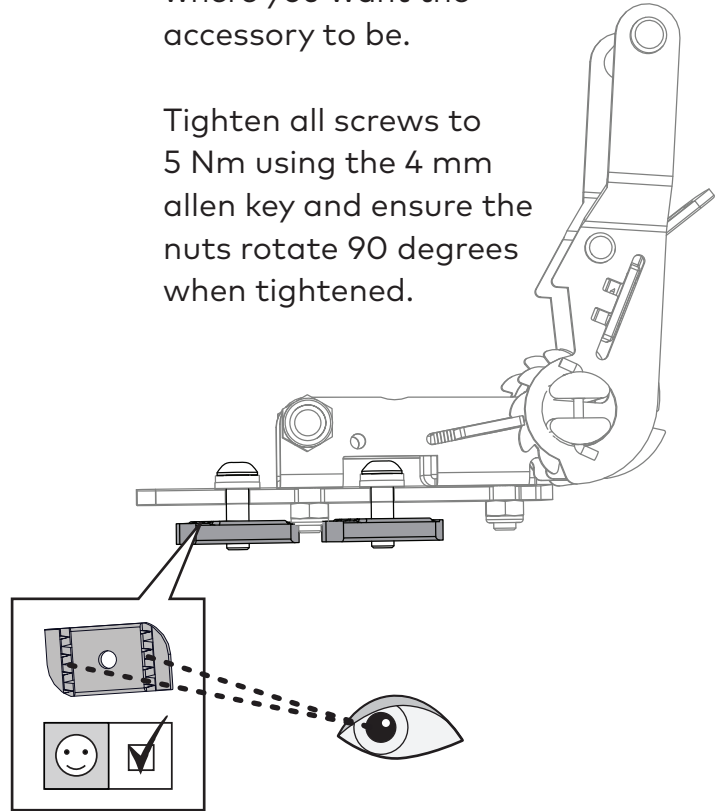
INSTALLATION WITH HEAVY DUTY BARS

- 1** Assemble 1x spring washer, 1x flat washer onto each **20 mm cap screw** and insert into holes on ratchet plate.



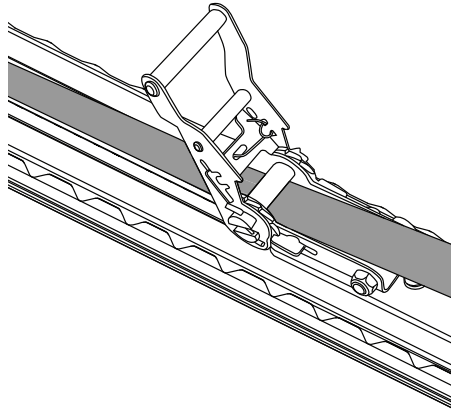
- 2** Pre-thread the T-nuts onto cap screws in the orientation shown and place ratchet assembly into bar channel. Position where you want the accessory to be.

Tighten all screws to 5 Nm using the 4 mm allen key and ensure the nuts rotate 90 degrees when tightened.

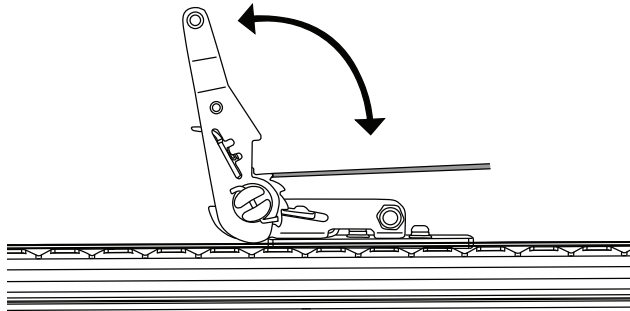


USING THE STRAP

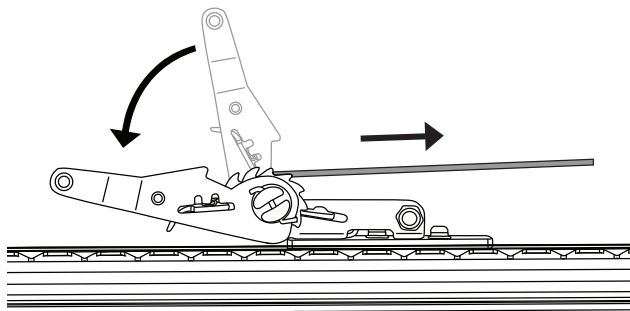
- 1** To attach strap, thread it through the slot in the ratchet barrel.



- 2** To wind strap, work the ratchet handle back and forth.



- 3** To release strap, open ratchet handle completely and pull strap.



RECOMMENDATIONS

- Check accessory is securely attached whenever you refit it to the vehicle. If the unit feels loose, refer to the fitting instructions and readjust.
- Regularly check all fasteners. This includes all attached accessories and roof racks.
- Ensure that all loads are distributed evenly across the roof racks and are fastened securely.

SAFETY

- A loaded roof rack system can alter the performance of your vehicle. Be especially aware of the effects of side winds, changing of direction, and braking performance. Avoid rapid acceleration and deceleration. Drive carefully.
- Make sure all loads are securely fastened with non-elastic straps. Check regularly during longer journeys.
- Never drive into a car wash with a roof rack system or accessories fitted.
- Do not exceed the vehicle manufacturer's roof load rating. Total load equals weight of roof racks + accessories + cargo/equipment.



www.yakima.com.au
www.yakima.co.nz
www.yakima.com
www.yakima.eu

YAKIMA AUSTRALIA PTY LTD

17 Hinkler Court
Brendale, QLD 4500
Australia
1800 143 548

YAKIMA PRODUCTS, INC.

4101 Kruse Way
Lake Oswego, OR
97035-2541
USA
888 925 4621
yakima.com/support