

YAKIMA® Universal Awning Fitting Kit

FIRST TIME INSTALLATION

- Please read instructions carefully before installation.
- Check the contents of kit. Contact your dealer if any parts appear to be missing or damaged.
- Clean your roof racks/platform prior to fitting the Universal Awning Fitting Kit.

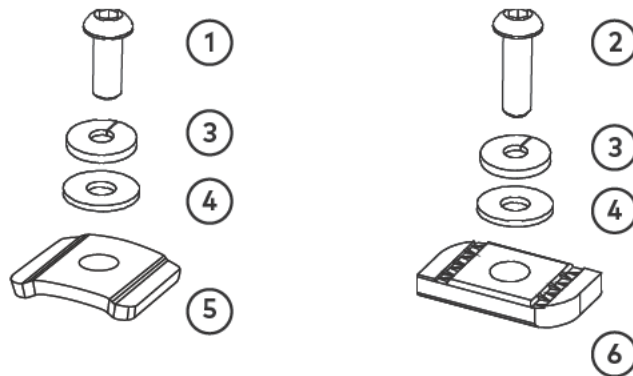


TOOLS REQUIRED:

- 5 mm Allen Key

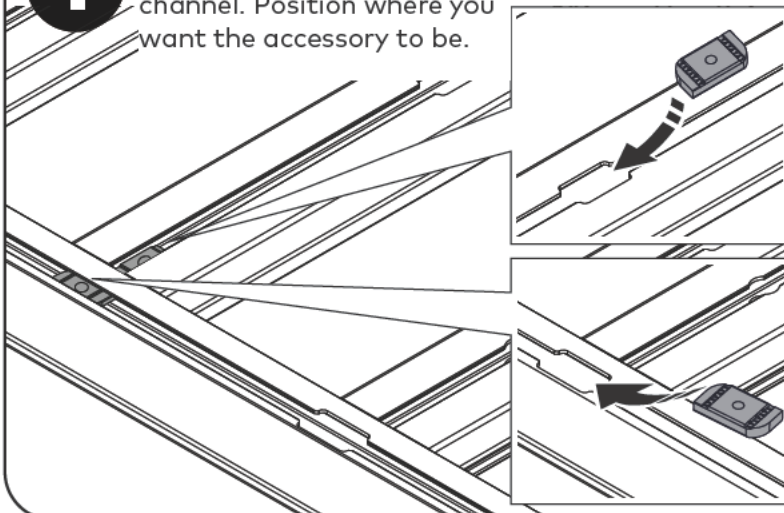
KIT CONTENTS

ITEM	COMPONENT	QTY	ITEM	COMPONENT	QTY
1.	M6 x 16 mm Cap Screw	4	4.	M6 Washer	8
2.	M6 x 20 mm Cap Screw	4	5.	M6 Slot Nut	4
3.	M6 Spring Washer	4	6.	M6 T-Nut	4

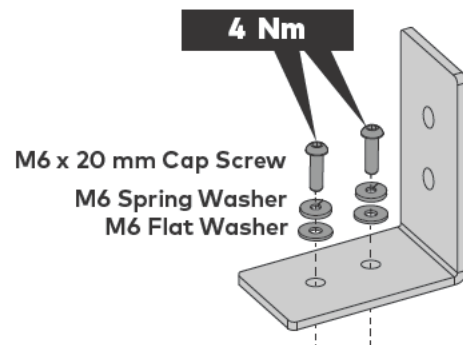


INSTALLATION WITH AERO DECK AND LOCKNLOAD PLATFORM

- 1** Slide 2x M6 T-nuts into channel. Position where you want the accessory to be.

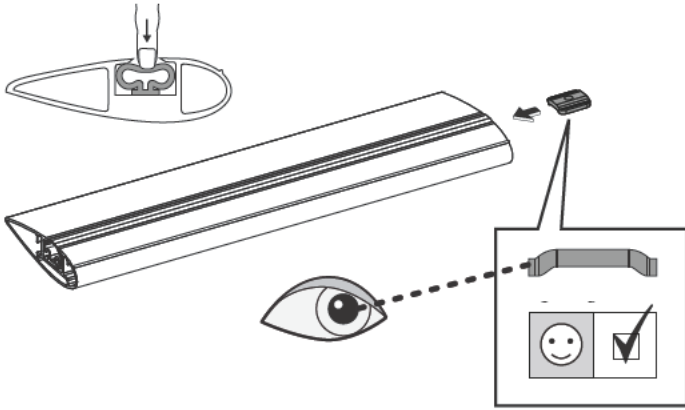


- 2** Using 2x M6 x 20 mm cap screws, 2x M6 spring washers and 4x M6 washers for Aero Deck, 2x M6 washers for LockNLoad Platform, assemble awning bracket or other accessory mount into the T-nuts.

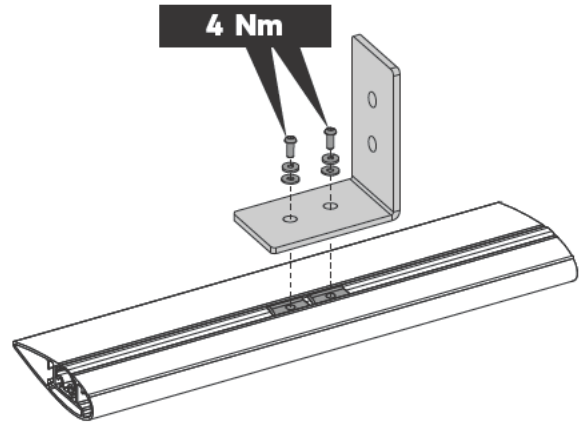


INSTALLATION WITH AERO, JETSTREAM AND INTERNATIONAL T-SLOT BARS

- 1** Push down rubber infill and slide 1x M6 slot nut into each crossbar channel in the orientation shown. Position where you want the accessory to be.

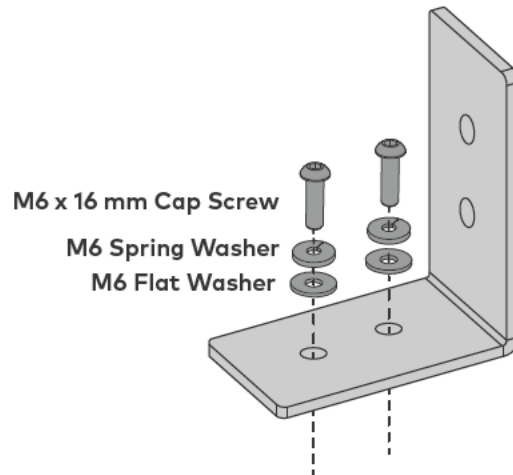


- 2** Using 2x M6 x 16 mm cap screws, 2x M6 spring washers and 2x M6 washers, assemble awning bracket or other accessory mount into the slot nuts.

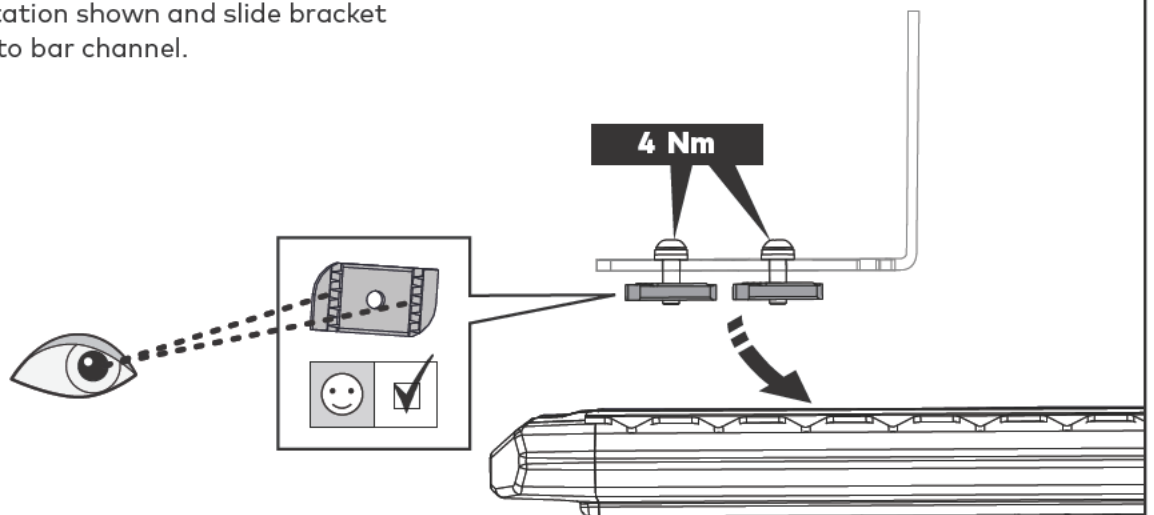


INSTALLATION WITH TRIMHD BARS

- 1** Assemble 2x M6 x 16 mm cap screws, 2x M6 spring washers and 2x M6 washers, into awning bracket or other accessory mount.



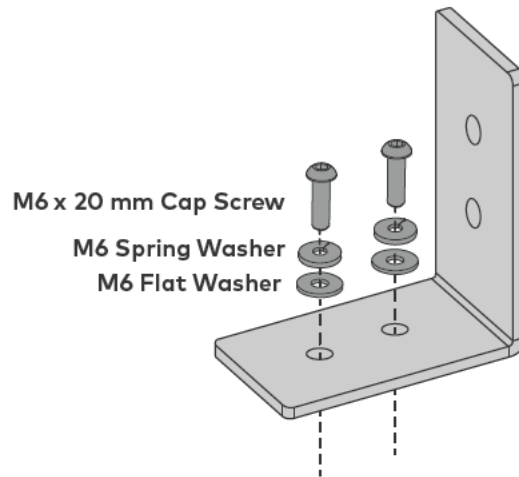
- 2** Pre-thread the M6 T-nuts onto cap screws in the orientation shown and slide bracket assembly into bar channel.



INSTALLATION WITH HD BAR AND OTHER HEAVY DUTY BARS

1

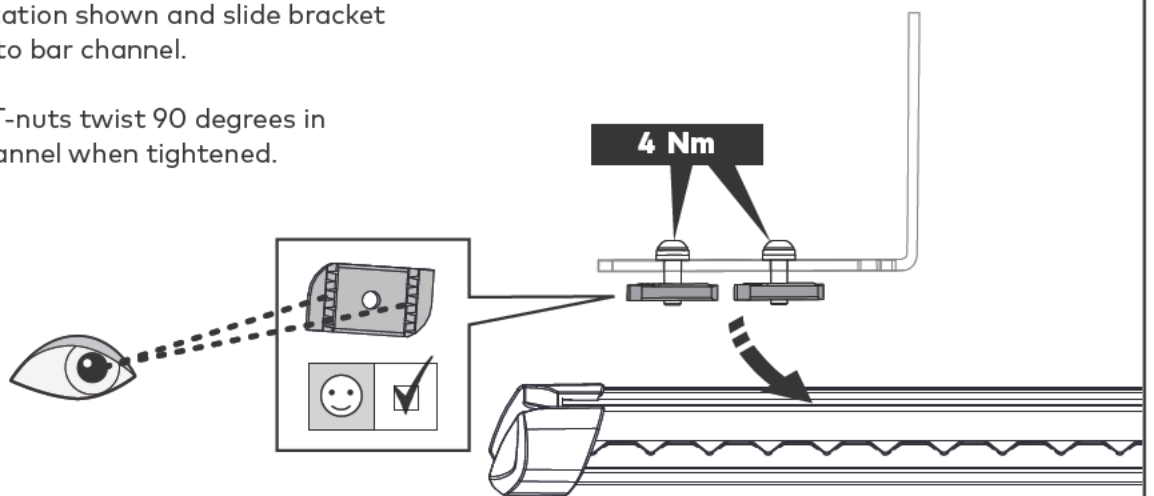
Assemble 2x M6 x 20 mm cap screws, 2x M6 spring washers and 2x M6 washers, into awning bracket or other accessory mount.



2

Pre-thread the M6 T-nuts onto cap screws in the orientation shown and slide bracket assembly into bar channel.

Ensure the T-nuts twist 90 degrees in crossbar channel when tightened.



RECOMMENDATIONS

- Check accessory is securely attached whenever you refit it to the vehicle. If the unit feels loose, refer to the fitting instructions and readjust.
- Regularly check all fasteners. This includes all attached accessories and roof racks.

SAFETY

- Ensure that all loads are distributed evenly across the roof racks and are fastened securely.
- A loaded roof rack system can alter the performance of your vehicle. Be especially aware of the effects of side winds, changing of direction, and braking performance. Avoid rapid acceleration and deceleration. Drive Carefully.
- Make sure all loads are securely fastened with non-elastic straps. Check regularly during longer journeys.
- Never drive into a car wash with a roof rack system or accessories fitted.
- Do not exceed the vehicle manufacturer's roof load rating. Total load equals weight of roof racks + accessories + cargo/equipment.



www.yakima.com.au
www.yakima.co.nz
www.yakima.com
www.yakima.eu

YAKIMA AUSTRALIA PTY LTD

17 Hinkler Court
Brendale, QLD 4500
Australia
1800 143 548

YAKIMA PRODUCTS, INC.

4101 Kruse Way
Lake Oswego, OR
97035-2541
USA
888 925 4621
yakima.com/support