

RNG-175D

175W Monocrystalline Solar Panel

Key Features

The Renogy 175W solar panel offers more power and durability. Corner supports for frame protection and corrosion-resistant aluminum frames. The new 175W rigid solar panel has better conversion efficiency, improving the power output per surface area.

- High module conversion efficiency
- Top ranked PTC rating
- Quick and inexpensive mounting
- 100% EL testing on all Renogy modules
- No hot spots guaranteed

Potential Uses

The Renogy 175W Monocrystalline Solar Panel has applications in off-grid power systems. That includes 12 and 24 volts battery banks, water pumping systems, signaling systems, and other off-grid applications.



Power Output Warranty



Material and Workmanship Warranty

RNG-175D

175W Monocrystalline Solar Panel

Electrical Data

Maximum Power at STC*	175 W
Optimum Operating Voltage (V_{mp})	18.1 V
Optimum Operating Current (I_{mp})	9.67 A
Open Circuit Voltage (V_{oc})	21.6 V
Short Circuit Current (I_{sc})	10.31 A
Module Efficiency	19.8%
Maximum System Voltage	6000 VDC
Maximum Series Fuse Rating	20 A

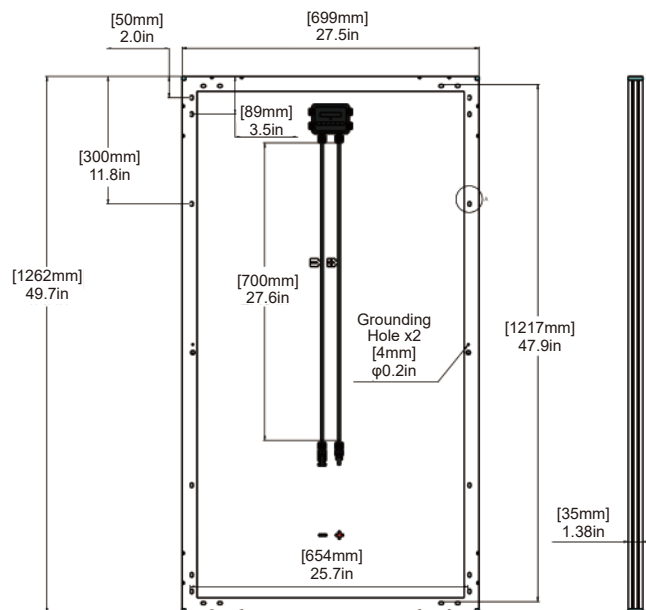
Thermal Characteristics

OperatingTemp. Range	-40°C - 85°C(-40°F - 185°F)
Nominal Operating Cell Temperature (NOCT)	45±2°C
Temperature Coefficient of Pmax	-0.37%/°C
Temperature Coefficient of Voc	-0.28%/°C
Temperature Coefficient of Isc	0.05%/°C

Junction Box

IP Rating	IP 65
Diode Type	20SQ045
Number of Diodes	2 Diode(s)
Output Cables	14 AWG 700mm (27.6 in)

Module Diagram



Mechanical Data

Solar Cell Type	Monocrystalline (6.5 x 2.9 in)
Number of Cells	64 (4 x 16)
Dimensions	1262 x 699 x 35 mm(49.7x27.5x1.4in)
Weight	10 kg(22lbs)
Front Glass	Tempered Glass 0.13 in (3.2 mm)
Frame	Anodized Aluminum Alloy
Connectors	Solar Connectors
Fire Performance	Type 1

MC4 Connectors

Rated Current	30 A
Maximum Voltage	1000 VDC
Maximum AWG Size Range	12 AWG
Temperature Range	-40°C - 90°C(-40°F - 194°F)
IP Rating	IP 68

Certifications



EN IEC61730
EN IEC61215

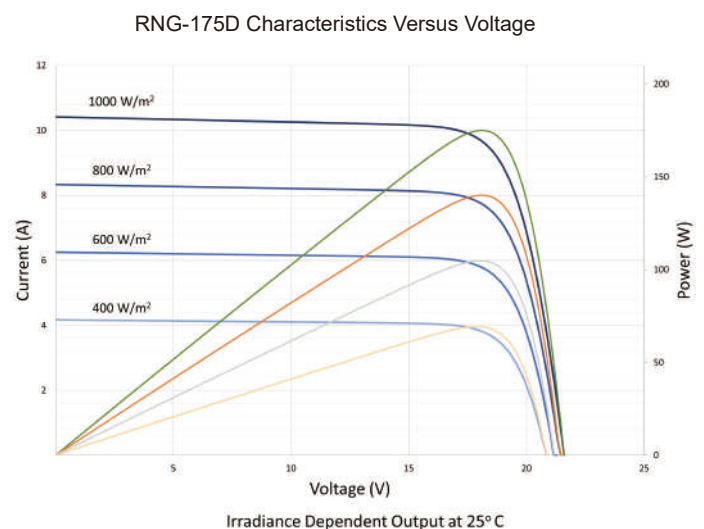


ISO 9001:
Quality Management System



ETL
INTERNET
LABORATORY

IV-Curve



*All specifications and data described in this data sheet are tested under Standard Test Conditions (STC - Irradiance: 1000W/m², Temperature: 25°C, Air Mass: 1.5) and may deviate marginally from actual values. Renogy and any of its affiliates has reserved the right to make any modifications to the information on this data sheet without notice. It is our goal to supply our customers with the most recent information regarding our products. These data sheets can be found in the downloads section of our website, www.renogy.com