

**4x4 ACCESSORIES**



**DRAWER  
FRIDGE  
30L**

**DFR4020XTM**

**PLU 653329**

# CONTENTS

Section	Page
Contents	2
General Information & Safety Instructions	3
Appliance and Accessories	4
Installation	5
Power Requirements	6
Temperature Control	7
Temperature Control Unit	8
Using with Solar Panel or Generator	9
Tips and Suggestions	10
Trouble Shooting	11
Maintenance	11

## INTRODUCTION

Dear Customer,

Thank you for purchasing this drawer fridge which has passed through our extensive quality assurance processes. Every care has been taken to ensure that it reaches you in perfect condition. However, in the unlikely event that you should experience a problem, or if you require any assistance please do not hesitate to contact us;

If you have a problem, call customer service do not return this portable fridge to the place of purchase.

**Note:** For convenience we suggest taking a photocopy of your purchase receipt as the original may fade.

Due to continual product development, the actual product may differ slightly from the product pictured.

## CUSTOMER SERVICE

Australia: 1300 174 876

Operating times: Monday – Friday

8.00am - 5.00pm

Australian Eastern Standard Time (AEST)

# GENERAL INFORMATION AND SAFETY INSTRUCTIONS

Read this manual thoroughly before first use, even if you are familiar with this type of product. The safety precautions enclosed herein reduce the risk of fire, electric shock and injury when correctly adhered to. Keep the manual in a safe place for future reference, along with purchase receipt and carton. If applicable, pass these instructions on to the next owner of the appliance.

Always follow basic safety precautions and accident prevention measures when using an electrical appliance, including the following:



## Electrical Safety and Cord Handling

- + **Correct voltage:** Make sure your local outlet voltage and circuit frequency corresponds to the voltage indicated on the appliance rating label.

**NOTE: INTENDED USE:** This is a portable product, designed for private use. It is exclusively designed for use in cars, 4WD's, caravans and other vehicles including mobile homes and campervans. It is designed to cool food and beverages and to be set up and used in dry, weather protected areas.

- + **Safe connection:** Insert the power cord firmly into a 12V or 24V DC socket. Do not alter the plug.
- + **Protect from moisture:** To protect against electric shock, do not immerse the cord, plug or the appliance itself in water or other liquid.
- + **Ensure your hands are dry before handling the plug or switching on the appliance. Do not use it on wet surfaces.**

- + **Protect the power cord.** Do not kink or damage the power cord. Do not wrap it around the appliance. Do not pull the unit by the cord. Do not use the cord as a handle, close a door on the cord or pull the cord around sharp edges or corners. Keep the cord away from heated surfaces.
- + **Never touch uninsulated cord with bare hands.**
- + **Always ensure that the correct voltage is applied to the fridge.** The voltage is stated on the fridge's data plate.
- + **Never obstruct vents to the fridge's compressor.**
- + **Defrost the fridge on a regular basis.**
- + **Never use hard or sharp implements to remove ice from the cooling compartment.**
- + **Never use abrasive or solvent based materials when cleaning the cooling compartment.**
- + **Do not use any electrical appliances inside the cooling compartment.**

**NOTE:** This appliance is not intended for use by persons (including children) with reduced physical, sensory or mental capabilities, or lack of experience and knowledge, unless they have been given supervision or instruction concerning use of the appliance by a person responsible for their safety. Children should be supervised to ensure that they do not play with the appliance.

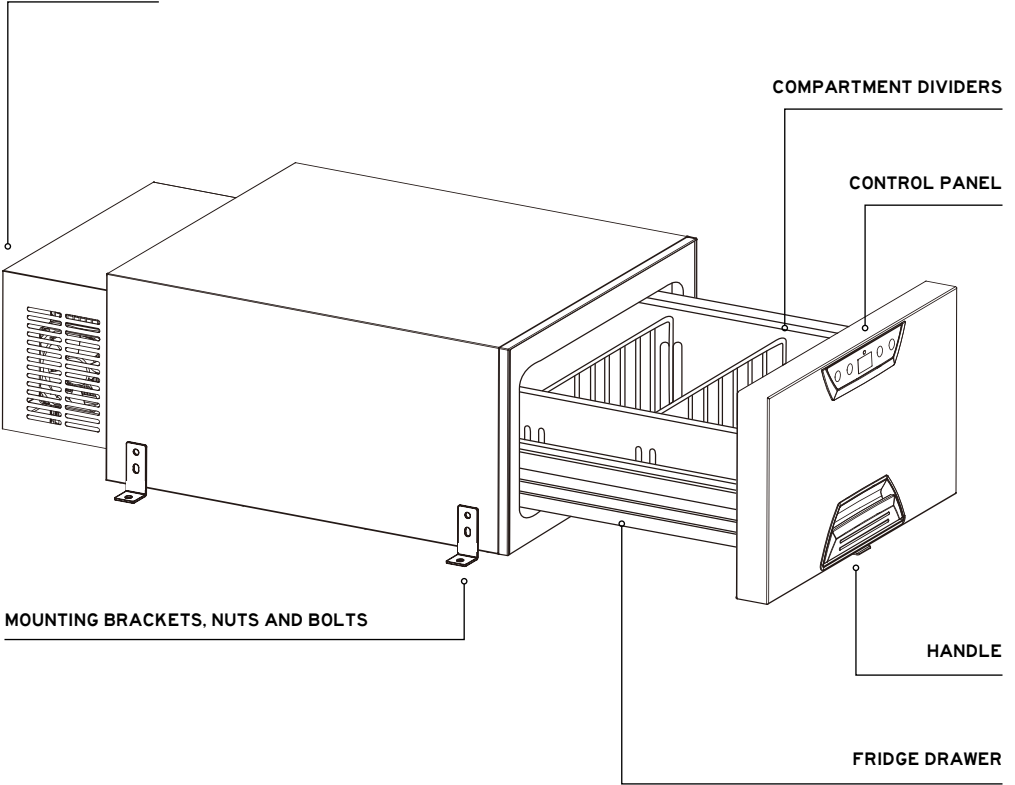
- + **Do not expose to rain.**



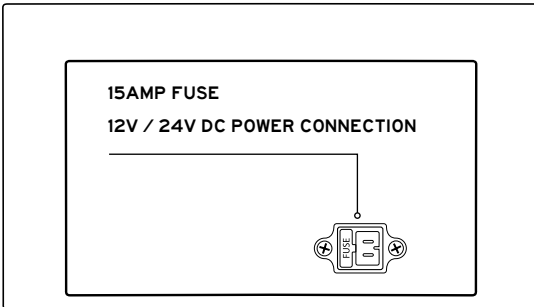
**DO NOT STORE EXPLOSIVE SUBSTANCES SUCH AS AEROSOL CANS WITH A FLAMMABLE PROPELLANT IN THIS APPLIANCE.**

# APPLIANCE AND ACCESSORIES

POWER SUPPLY



(BACK OF UNIT)



12V/24V DC POWER CORD



## INSTALLATION

After unpacking the fridge check that no parts are missing. Place the unit in a dry place which is protected against splashing water. Do not place directly adjacent to sources of heat such as heating, gas ovens, hot water, pipes or directly in the sun.

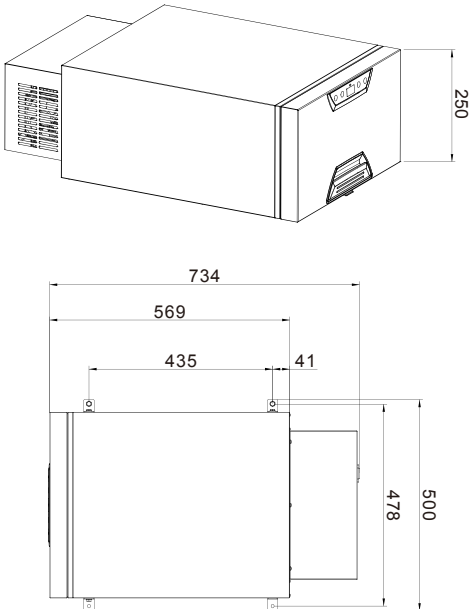
It is important that your appliance is installed and operated in accordance with these instructions to ensure its performance, efficiency and operation.

## INSTALLATION ITEMS



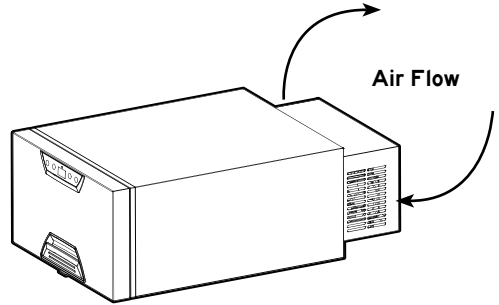
M6 Nut x 4pcs - M6 Bolt x 12pcs - Bracket x 4pcs

## KEY DIMENSIONS (IN MM)

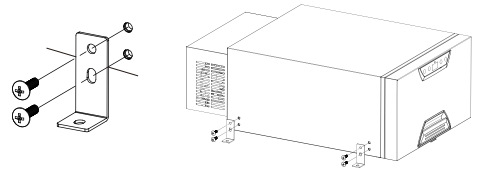


## LOCATING AND MOUNTING

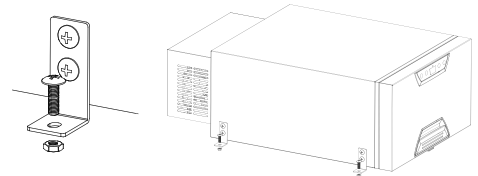
- (1) Find a suitable location to mount the drawer fridge, ensuring to keep at least 5 to 10cm space around the compressor box to ensure sufficient airflow and cooling performance.



- (2) Attach the mounting brackets to the sides of the drawer fridge body with supplied M6 bolts (2pcs per bracket).



- (3) Locate the fridge in its final position and fix in position using the supplier M6 bolts and nuts (1 set per bracket) or other suitable fixtures (not supplied).



- (4) Connect the DC cable to the socket in the rear of the drawer fridge. Route the cable, ensuring it is not pinched, cut or damaged, to the nearest suitable cigarette outlet socket and plug in.

## POWER REQUIREMENTS

The fridge is designed to operate on DC voltage.

- + DC input 12V or 24V DC (e.g. car cigarette lighter or car battery).
- + If the fridge is operating when the vehicle ignition is switched OFF, the fridge will switch OFF automatically when the power source voltage falls below the Battery Protection cut-out setting.
- + The fridge will automatically switch back ON when the vehicle is re-started and the power source voltage reaches the Battery Protection cut-in setting.

## OPERATING YOUR FRIDGE WITH 12/24V DC

- + Plug the 12V/24V DC power cord into the DC power socket (as highlighted over page) on the end of the fridge and then connect to the vehicle cigarette lighter socket or suitable 12V or 24V DC power source.
- + The fridge will automatically turn on, there is no requirement to switch the appliance on.
- + The display will automatically show the current internal cabinet temperature.
- + For optimum performance and efficiency, it is important that the fridge has a reliable DC power source available. Direct connection to the battery is recommended and reduces the risk of voltage dropping to the appliance.
- + Use only the 2.5m DC power cord supplied with the fridge.

**IMPORTANT:** If a DC extension cord is required we recommended, as a minimum, use a 6mm dia. (AWG11) 4.58mm<sup>2</sup> Twin Sheath Two Core cord with direct connection to the positive and negative battery terminals with 15A inline fuse protection.

- + The fridge is equipped with an electronic control system that will prevent polarity reversal. In the event that the battery connection is reversed the unit will not start or operate. The power input socket is fitted with a 15A blade fuse for protection.

## 12/24V DC POWER REQUIREMENTS

If your fridge is cutting out prematurely, it could be due to:

1. The low voltage protection being set too high on the Battery Protection.
  2. DC power cord and/or connections are not suitable to carry the required current. Check the power cord and all connections and adjust the Battery Protection on the control panel.
- + The fridge is equipped with a multi-level Battery Protection that protects your vehicle battery against excessive discharging when the fridge is connected to 12V or 24V DC power source.

**IMPORTANT:** When using the fridge with DC power supply, we recommended setting the Battery Protection to LOW.

**NOTE:** A battery charger may only be connected to the battery when the fridge has been disconnected from the DC power source.

- + Over-voltage may cause damage to the electronics of the fridge.
- + Your fridge is equipped with reverse polarity protection. It protects your fridge against reverse battery connection and short circuit.
- + As a protection for your battery, the fridge switches OFF automatically if the power source voltage is insufficient.

**NOTE:** It is important that the correct cord size and gauge is used for the installation of the DC supply as over distance the voltage can decrease if the incorrect cord size and gauge cord is being used.

- + Always consult a qualified automotive electrician when using a DC extension cord.

## TEMPERATURE CONTROL

When your fridge is first connected to the DC power input the appliance will automatically switch on and the LCD control panel will display the current cabinet temperature, Battery Protection and Cooling Speed setting as well as the current input voltage.

- + The Temperature Controller provides the ability to set the desired temperature level and display the current cabinet temperature. The electronic controller has been programmed to maintain an average of the set temperature.
- + The compressor will start up when the internal cabinet temperature increases 0.5 to 1.5 degrees above the set temperature and will run until the temperature is 0.5 to 1.5 degrees below the set temperature.

12V DC INPUT	CUT OUT	CUT IN
HIGH	11.3V	12.5V
MEDIUM	10.1V	11.4V
LOW	9.6V	10.9V

24V DC INPUT	CUT OUT	CUT IN
HIGH	24.6V	26V
MEDIUM	22.3V	23.7V
LOW	21.3V	22.7V

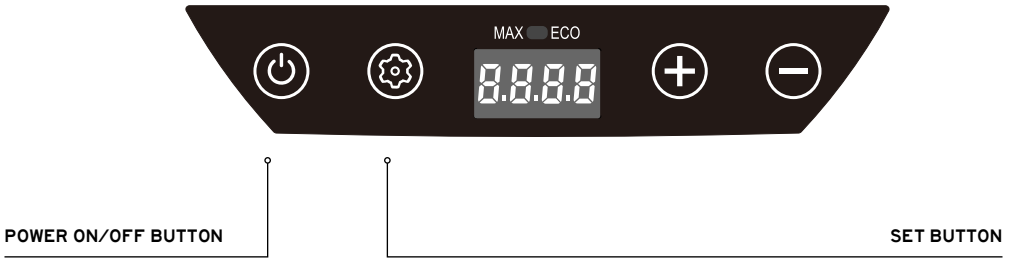
## BATTERY PROTECTION SETTING

1. Fridge to automatically restart once input voltage is reached and is to retain all original settings prior to monitor being activated.
2. Audible beeping to be heard when monitor is activated.

# TEMPERATURE CONTROL UNIT

TEMP. DISPLAY

UP AND DOWN BUTTONS



## POWER

1. Press button to turn fridge ON.
2. Press button again to turn fridge OFF.

## TEMPERATURE SETTING

1. Press to set temperature. Wait for 3 sec for display to stop flashing, then setting will be saved and display will change to actual temperature reading

## BATTERY PROTECTION

- 1 Press & hold button for 3 seconds to enter battery protection setting mode
- 2 Press the button again to cycle between the 3 protection levels - H1 (Hi) -> L3 (Low) -> N2 (Med)
- 3 Wait for 3 seconds for the display to stop flashing, then the setting will be saved and the display will show the actual temperature reading

## TEMPERATURE SCALE

1. Press & Hold and buttons for 3 sec to switch between Celcius (°C) or Fahrenheit (°F)

## MAX/ECO MODE

1. Press button to switch between MAX mode or ECO mode

MAX - Indicator will show green light

ECO - Indicator will show white light

## POWER OFF MEMORY

If power is cut to the fridge, the ON/OFF status, mode and temperature settings will resume to the previous settings as soon as the power is restored.



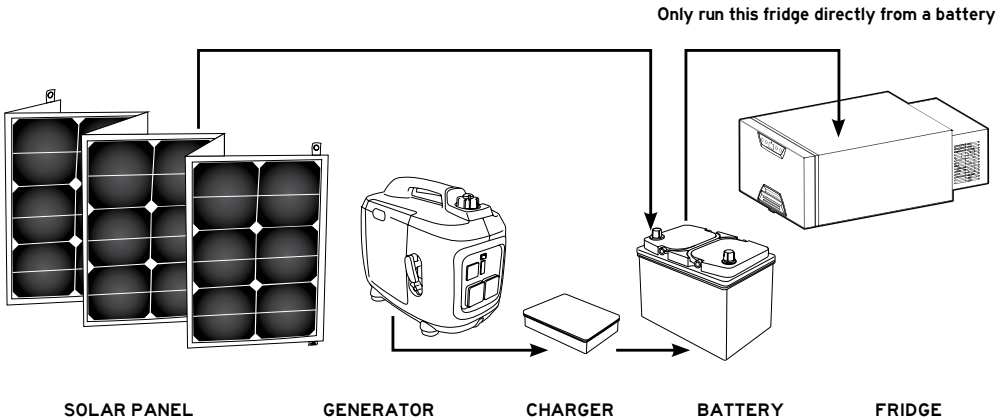
## USING WITH SOLAR PANEL OR GENERATOR

### USING WITH SOLAR PANELS

- + The power consumption and efficiency of your fridge makes it ideal to be used in conjunction with solar panels to provide recharging of the DC power source. Solar panels will provide charge into the battery during the daylight hours even while the appliance is operating.
- + As the output from solar panels changes depending on the level of sunlight and intensity, your fridge cannot be connected directly to the solar panels. The appliance must be connected to a suitable DC battery and then the solar panels connected to the battery.
- + We recommend the use of the quality portable solar panel kits from 100 to 200 watts for use with your fridge. DO NOT connect the fridge directly to the solar panel as it will not work. Connection must be via the battery.

## USING PORTABLE GENERATORS

- + It is important that your fridge is never connected directly to a generator. This fridge is designed to operate directly from a battery. Using from a generator may result in damage to your fridge which may void your appliance warranty.
- + Most generators are fitted with a DC power output socket - DO NOT connect your fridge directly to the DC power output of the generator as this will result in damage to your fridge and void warranty. Connection must be via the battery.
- + When charging the battery using a digital or inverter type generator, we recommend only using a 'smart battery charger' that is fully automatic, spark proof and reverse polarity protected. The battery charger is connected directly to the AC power output of the generator.



# OWNERS MANUAL

## TIPS AND SUGGESTIONS

- + When the appliance is being set at 0° or lower temperatures, do not store glass bottles or liquids such as beer, milk, juices or soft drinks in the unit as these may freeze and shatter.
- + To improve the efficiency of your fridge it is better to have the drawer as full as possible at all times. A full drawer will provide lower power consumption over 24 hours than a half empty one. When the drawer is full there is little air space between the goods so the cold air is trapped, but when there is lots of air the coldness cannot be captured and held. On a trip it is a good idea to replace finished products with bottles of water or similar. This will fill the empty spaces and allow the coldness to remain within the drawer.
- + Frequent drawer opening will allow warm air to enter the drawer. Keep the number of times you open the drawer to a minimum where possible.
- + When located in the rear of a car or trailer, it is recommended that the appliance be kept away from direct sunlight to reduce the risk of increased heat. It should also be provided with suitable ventilation to guarantee efficient power consumption and performance. You must remember that when a vehicle is parked in the sun on a day where the ambient temperature is +30°C, the interior of the vehicle can reach +55°C.

## MAINTENANCE AND SERVICE

Your fridge will be delivered cleaned from the factory – you nevertheless should clean prior to initial use. Take a cloth which has been slightly moistened with lukewarm water. Pay attention that no water drops into the seals and possibly damages the electronics. Dry off the fridge with a cloth after cleaning. Clean your fridge periodically and as soon as it is dirty.

### ATTENTION:

- + DO NOT use solvents or agents with sand or acid parts for cleaning your fridge.
- + DO NOT use brushes, graters or hard sharp tools to clean your fridge.
- + Before cleaning, the power cord should be disconnected and the fridge switched OFF.

- + Clean the fridge inside and out with a damp cloth. For stubborn dirt, use some sodium bicarbonate dissolved in lukewarm water.
- + After washing, rinse with clean water and dry carefully.
- + When storing your fridge for a long period of time, DO NOT fully close the drawer. This will prevent mould and odours. For additional queries, service and maintenance please contact our After Sales Support 1300 174 876. They will provide you with expert advice on further information you may require.

## DISPOSAL

When it comes to the end of its working life, your fridge should be disposed of responsibly to ensure that it does not contaminate the environment. It would be advisable to contact your local council for where to recycle your fridge.

ERROR	ISSUE	POSSIBLE CAUSE
	Fridge does not work	<p>Check if power is connected properly (check plugs are securely positioned and positive and negative not reversed)</p> <p>Check power switch in ON</p> <p>Check if cooling unit ventilation is not blocked or restricted</p> <p>Check the fuse in the rear of the unit and at the supply</p>
	Poor cooling performance	<p>Check that the drawer is securely closed</p> <p>Check if there is any damage to the drawer seals</p> <p>Check if cooling unit ventilation is not blocked or restricted</p> <p>Check the set temperature is adequate</p>
	Abnormal noise	<p>Check if refrigerator is level</p> <p>Check for vibration sources in surrounding objects</p> <p>Check for loose items in the fridge</p> <p>Water flow type noise is normal and not sign of any fault in the unit</p>
	Condensation	It is normal for some condensation to form on the refrigerator surface when humidity is more than 75%
E1	Low Input Voltage	<p>Power cord was inserted into the cigarette socket before car starts - wait for car engine to start before plugging in</p> <p>Battery protection level setting is too high - adjust the protection setting or change to a power source with a higher output voltage</p>
E2	Fan Fault	Contact service to have the fan replaced
E3	Compressor Start Fault	Shut down the fridge for 5 minutes and restart it - if it doesn't fix the issue, follow the procedures for E1 error
E4	Compressor Operation Fault	Check the input voltage to the fridge and restart
E5	Overheat of Controller	Shut down the fridge for 5 minutes and check for cooling unit ventilation restrictions or blockages
E6	NTC Open or Short Circuit	Contact service to have the NTC sensor checked

PART NO.	DFR4020XTM
GROSS CAPACITY:	31L
CLIMATIC CLASS:	T/ST/N/SN
RATED VOLTAGE - DC:	12V / 24V or 14.5V DC
RATED CURRENT - DC:	Up to 6A
PROTECTION LEVEL:	III
REFRIGERANT TYPE/AMOUNT:	R134a - 26g
FOAM VESICANT:	Cyclopentane
TEMPERATURE RANGE:	-20°C to +10°C
NET WEIGHT:	18KG

For further information or assistance please contact customer service on 1300 174 876

4x4 ACCESSORIES



# DRAWER FRIDGE 30L

**DFR4020XTM**

**PLU 653329**



FOR SERVICE, SPARE PARTS  
OR PRODUCT INFORMATION,  
PLEASE CONTACT SITRO GROUP  
AUSTRALIA PTY LTD.

Mon - Fri 8.00am - 5.00pm (AEST)

Do not return to place of purchase  
Keep your purchase receipt, this will be required  
to make any claims under the 2 Year warranty.

**AUST. 1300 174 876**

Manufactured in China for  
SUPER RETAIL GROUP LIMITED  
6 Coulthards Ave, Strathpine, Queensland 4500, Australia