

GATOR 

GHDVR355

QUICK START GUIDE



For more information
on the Gator range
go to our website

gatordriverassist.com

INCLUSIONS:

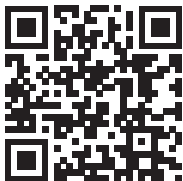
Dash Cam, Suction Mount, USB cable
12/24V In-Car Charger, 16GB Micro SD Card

Table of contents

Table of contents.....	2
Product information.....	3
Product features.....	3
System contents.....	4
Optional accessories.....	5
Product structure.....	6
Fixing the Dash Cam.....	8
Installation of Dash Cam.....	8
Video recording mode.....	10
Video mode setting & setup.....	10
Photo mode.....	11
Video & photo playback.....	11
Loop recording function.....	12
G-Sensor function.....	12
Formating the SD card.....	13
Internal battery.....	13
Factory reset.....	13
Connecting to a PC.....	14
Locking video footage.....	14
Product specifications.....	15
Trouble shooting guide.....	16
Safety information & warnings.....	22
Infringement of copyright warning.....	23
Technical assistance.....	23

Product information

For more information, videos and user guides, visit our website, gatordriverassist.com/GHDVR355 or scan the following QR code:



Please ensure that you have read the products quick start guide and instructions prior to installation and use.

Failure to do so may result in the product incorrectly operating or an installation that renders the device unusable.

Product features

- HD 1920 x 1080P
- 3.0" High-resolution LCD screen
- 100 Degree wide angle lens
- Time and date stamp
- Mini USB interface
- G-Sensor function
- Seamless cycle loop recording
- Suction car mount
- DC 12/24V car charger
- 16GB Memory card included
- Supports Micro SD card class10 up to 32GB

System contents



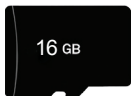
GHDVR355 Dash Cam



Suction Mount



USB to Mini USB

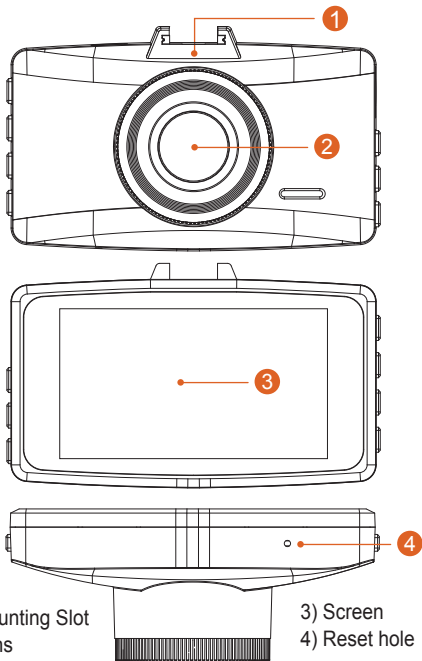


16GB Micro Memory

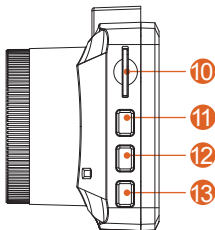
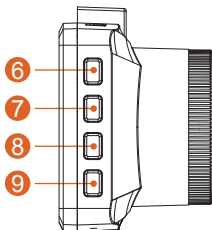
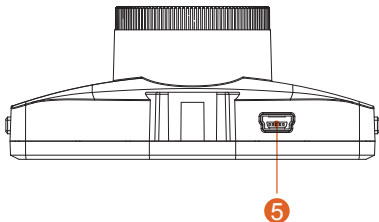
Car Charger



Product structure



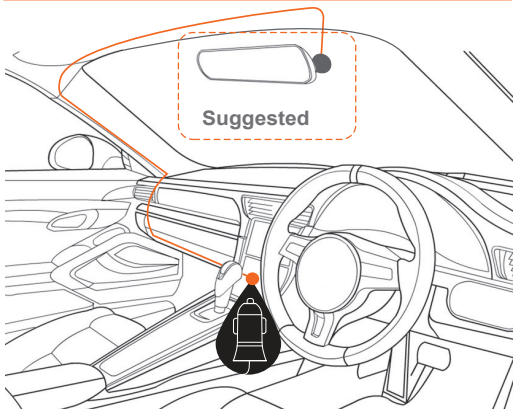
Product structure



- 5) Mini USB input
- 6) OK Button
- 7) Mode Button
- 8) Emergency Lock
- 9) Power On/Off button

- 10) Micro SD Card Slot
- 11) Up arrow button
- 12) Menu Button
- 13) Down arrow button

Fixing the Dash Cam



Installation of Dash Cam

1. Check orientation of the Dash Cam camera first before installation.
2. Ensure windscreen is clean and free of debris. Use an Alcohol wipe to enhance adhesion.
3. Place the suction mount bracket on the Dash Cam.

4. Fix the suction mount where the vision is not blocked (Place close to rear-view mirror is recommended) and lock in place. Do not install the device on airbag or within its working range.
5. Insert Micro SD card into the Dash Cam
6. Insert Mini USB end of the power cord into the Mini USB interface/ charging point of the Dash Cam. Connect charging end of the cable into 12/24V power socket of vehicle.
7. Adjust the mounting bracket and rotate the camera direction to get the best view. Ensure 1/4 of the vehicles bonnet is visible from the bottom of the screen for alignment.
8. Turn vehicles ignition to accessories and the Dash Cam will power ON and start recording automatically, you will hear an audible tone once powered.
9. A red circle will also flash on the screen and a red timer will appear when recording has started.
10. For the Dash Cam to work it must receive power from the charging adapter. Once power is removed or turned off the Dash Cam will save the current file and turn off.

Video Recording mode

There is a video camera icon at the top left corner of the LCD to signify you are on video mode. A red circle will flash on the screen and a red timer will appear when recording has started.

-To stop the recording, simply press the **[OK]** button.

-To resume press recording press **[OK]** button.

-When recording press the **[Lock]** button to lock and unlock the recorded video. A key symbol will appear when activated.

-Press the **[Up]** button, turn on/off the audio record

Note: To see how to use and adjust settings, go to the product page on our website to view the How To Video.

Video mode settings & setup

To enter the video settings, stop the recording. Press the **[Menu]** button. Press the **[Up]** and **[Down]** arrow buttons to navigate the sub menus. Press the **[OK]** button to enter the settings of each sub menu. Use the **[Up]** and **[Down]** arrow buttons to select different settings and press the **[OK]** button to confirm selections.

-To enter the video setup, stop the recording. Press the **[Menu]** button twice. To navigate and change setup is the same as mentioned above.

-To exit the menu's press the **[Menu]** button

Photo mode



Press the **[Mode]** button to change from video to camera mode. There is a photo camera icon at the top left corner of the LCD to signify you are in photo mode.

-To take a photo press the **[OK]** button and you will hear a shutter click sound.

Video and photo playback

To view your recorded videos and photos press the **[Mode]** button.

Press the **[Up]** and **[Down]** arrow buttons to scroll through recorded videos and photos.

Press the **[OK]** button to play/pause the video.

Short press the **[Up]** and **[Down]** arrow buttons to increase and decrease playback volume.

Press the **[Menu]** button to display options to delete or protect the locked file.

Loop recording function

This feature allows you to set the size of the files your Dash Cam will record before saving and creating a new file. It allows the Dash Cam to record over the oldest recorded files once the card is full. This can be turned OFF, or record 1, 2, 3, 5 or 10 minute video files. If you want to keep any of the files it is best to upload them to your computer. We recommend the Dash Cam to be set to '3' minute files.

Note: With this function turned off it may fill up the SD card as no files will be overridden. Once the card is full the Dash Cam will stop recording.

G-Sensor function

This function activates in the case of a car accident by determining the gravitational acceleration ($1g = 9.8$ meters/second²). When this function activates the Dash Cam will automatically sync a 10 second video clip and save it to the Event folder on the SD card. We recommend Low Sensitivity to avoid false triggers.

Note: With this function turned on it may fill up the SD card with locked video files. Re-format the SD card to create space. The device does NOT guarantee video recording of all accidents as built-in impact sensor may not be activated due to combination of user settings and the level of impact during the collision.

Formatting the SD card

You should do this at least every 2 to 3 months

It is recommended you do this to keep the card in good running order and to ensure you purge any locked footage that may have been saved in the past that you no longer need and is taking up space. Note: Back up files you wish to keep prior to formatting, as formatting will delete ALL files on the SD Card.

Internal battery

The internal battery is small and only designed to provide enough power to securely save the last recording when power is disconnected and to retain date and time settings. The Dash Cam is designed to be connected to power at all times when operating. If the Dash Cam is not used for an extended period of time the battery may become completely discharged which will cause the time and date on the device to default to the factory settings. If this occurs please completely recharge the Dash Cam before use.

Factory reset

To hard reset the device back to its original settings in the case of a system jam or crash. Insert a fine point paper clip into the reset hole next to Micro SD card input with the Dash Cam on.

Connecting to a PC

To access video and images from your Dash Cam, connect the USB cable to your computer. Two options will appear on the Dash Cam screen. Press the (OK) button select Mass storage and a folder called No-Name will appear on your computer. Select PC camera to use Dash Cam as a web cam.

Or alternatively remove the SD card from the Dash Cam and the SD card into a card reader to connect to your computer. Again a folder called No-Name will appear on your computer. Inside this folder will be your recorded movie files (AVI), and picture files (JPG)

Locking video footage

Press **[Lock]** button on the side of the Dash Cam to activate the lock footage function. A key icon will display on the screen. This will lock the file currently being recorded to prevent it being recorded over. To remove locked footage from the Dash Cam you must format the card on the device or a computer.

Product specifications

DSP + Sensor	GPL6248 + GC2023
Display	3-inch LCD screen
Color	Black
Video	AVI
Resolution	1080 HD 1920x1080 at 24fps
Picture	12M
Picture format	JPG
Viewing Angle	100 degree view angle
Functions	G-Sensor, Loop recording
OSD Language	Multiple
Audio	Built-in Microphone and speaker
Storage	Micro SD card (16GB included) Up to 32GB Class 10 Max
Input / Output	Mini USB
Battery	Lithium Battery 200mAh, 3.7V
Dimension	5.0*8.0*4.0CM(H*W*D)
Accessories	Car mount, Car charger, USB cable

Trouble shooting guide

Under normal operating conditions, if there are problems with the device, please refer to the following methods to resolve them.

Problem: Cannot take pictures or record video?

Solution: • This kind of issue is almost ALWAYS an issue related to the Memory card. Please check whether there is enough space on the micro SD. As mentioned earlier some footage is write protected and accumulates on the SD card over time.

- Format the SD card to be sure the card is no longer full of write protected footage.
- If the device keeps Stopping automatically while recording or it is recording Jumpy footage with dropped frames, this may be due to the SD cards write speed.
- You must use a high-speed micro SD card. To tell if you have the required high-speed card, check if it has the 'Micro SDHC/XC' logo on the SD card. Cards are often labelled as HD video capable but that is not always true. HD recording requires a Card with class 10, the card should have this printed on it somewhere.

Trouble shooting guide

PLEASE NOTE: SD cards have a finite life. Their life is based on the amount of times the card is written to. The SD card WILL eventual wear out over time.

Dash Cams are very heavy users of the SD card because they are constantly writing to memory. Some cards have a longer life than others. The longest life cards are often labelled as “ENDURANCE” or “HEAVY DUTY”

Troubleshooting guide

Problem: The suction mount will not stay attached to the windscreen

Solution: • Ensure windscreen is clean and free of debris, use glass cleaner or an alcohol swab to clean.

- Ensure that the plastic film has been removed from the suction mount.
- When mounting hold the bracket firmly to the windscreen before rotating the tightening lock.

Problem: The Dash Cam will not power on

Solution: • Vehicle Accessory Socket - Check the vehicle accessory socket has power, simply plug another device and see if it powers up (or use a test light / multimeter to check for power).

- Dash Cam Power Cable - Check the fuse in the tip of the accessory plug, it may need to be replaced.
- Dash Cam - Connect the Dash Cam to a computer via the USB cable to see if it powers up.

Problem: The Dash Cam shuts down when connected to the vehicle and the battery will not charge

Solution: • The battery will only charge while the vehicle is switched on.

- If the vehicle is not frequently used the Dash Cam battery will fully discharge and may need to be connected to a domestic USB charger (such as a smartphone charger) for approximately 4 hours to fully charge.

Troubleshooting guide

Problem: The Dash Cam battery only lasts for a few minutes when power is disconnected

Solution: • This is normal. Batteries in Dash Cams only hold enough power to safely shut down the Dash Cam, securely save the last file when power is disconnected and retain settings.

• The Dash Cam is designed to be connected to power at all times while being used.

Problem: The time & date settings reset every time the Dash Cam is powered on

Solution: • The time and date settings will reset when the Dash Cams battery is flat. Make sure the Dash Cams battery is fully charged in order to retain the time and date settings.

Problem: The Dash Cam menu cannot be accessed

Solution: • While the Dash Cam is recording the Menu can not be accessed. Stop recording before pressing the Menu button.

Problem: The Dash Cam screen turns off after a few minutes when the Dash Cam is powered on

Solution: • Dash Cams have an automatic screen saver feature. This helps reduce heat in the Dash Cam and also makes the Dash Cam less distracting to the driver.

• If you prefer the screen remain on, this can be changed in the Dash Cam settings under “Screen Saver”.

Troubleshooting guide

Problem: The Dash Cam feels warm when it is operating

Solution: • It is normal for the Dash Cam to feel warm to the touch during typical use, especially when it is recording HD video.

Problem: The Dash Cam stops automatically while recording

Solution: • Check to see whether there is enough space on the Micro SD card.

- Ensure correct Micro SD card is being used, 8-32Gb Class 10 or above Micro SDHC is recommended. Other types of Micro SD cards may not be suitable for use in Dash Cams.
- If the correct Micro SD Card is being used, format the Micro SD Card in a computer.
- Micro SD cards have a limited lifespan and become corrupt after a period of time. This is due to the continuous loop recording function. If this has occurred, you will need to replace you Micro SD Card.

Problem: The Micro SD card is not recognised by the Dash Cam

Solution: • Format the Micro SD card before using. Be sure the Micro SD card is compatible with the device, see “Stops automatically while recording” fault.

Troubleshooting guide

Problem: The Dash Cam will not record video or take pictures

Solution: • Check to see whether there is enough space on the Micro SD card. If not, the Micro SD card will need to be formatted.

Problem: Video files can not be played on the PC

Solution: • The video files from the Dash Cam are in .AVI format and may not be compatible with your PC if suitable playback software is not installed.

Problem: My videos are blurry, dirty or discoloured

Solution: • Check to see if there are any finger prints or dirt present on the camera lens. If needed, clean with a soft dry cloth before recording.

• Also be sure to have removed the transparent lens cover during installation.

Problem: The Dash Cam is frozen or not responding

Solution: • Reset the unit by pushing and holding the reset button for a few seconds and try again.

• Format Micro SD Card in a computer.

Problem: Unresolved issues

Solution: • Reset the unit by pushing and holding the reset button for a few seconds and try again.

• Format Micro SD Card in a computer.

• Contact Gator Technical Department

Troubleshooting guide

Problem: Unresolved issues

Solution: • Reset the unit by pushing and holding the reset button for a few seconds and try again.

- Format Micro SD Card in a computer.
- Should the problem persist please contact your Gator Service Agent for your country.

Safety information & warnings

Do not use the Dash Cam in damp working conditions; the Dash Cam is not waterproof.

Do not try opening the shell or trying to repair the Dash Cam by yourself.

If the Dash Cam or it's accessories have any problems and is still under warranty, then take it back to the place of purchase with the original purchase receipt.

If out of warranty then contact the authorised repair agent, Gator Support.

Do not use a chemical substance, cleaning solvent or cleaner to clean the Dash Cam, please use a moist soft cloth if you would like to clean the Dash Cam.

Do not use the Dash Cam under conditions where dust is present.

Please pay attention to cleaning the lens surface, use a moist soft cloth to clean the lens before use, to avoid poor video footage.

Infringement of copyright warning

Please note that this product is for personal use only, the method of use shall not violate the goods infringe on domestic or international copyright laws. Even recorded images for personal use only, please note that in some cases to use this product to record performances, exhibitions or business activities of the images may infringe the copyright or other legal rights and interests of others.

Technical assistance



For Australasian support

TEL: 03 – 8587 8898 FAX: 03 – 8587 8866

Mon-Fri 9am – 5pm AEST

EMAIL - service@gator.com.au

If you would like to download a digital copy of this manual, or other Gator manuals/software, please visit the <http://gatordriverassist.com> website and click on ‘Firmware & Manuals’ for information on where to find the manuals/software.

This manual is considered correct at time of printing but is subject to change. For latest manuals and updates refer to the website.

Copyright © 2021 by TDJ Australia

All rights reserved. No part of this publication may be reproduced, distributed, or transmitted in any form or by any means, including photocopying, recording, copying or other electronic or mechanical methods, without the prior written permission of the author.

Please retain this user guide for future reference.

